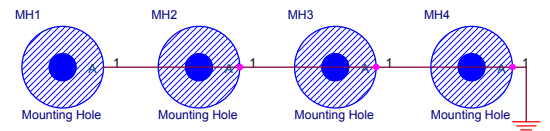
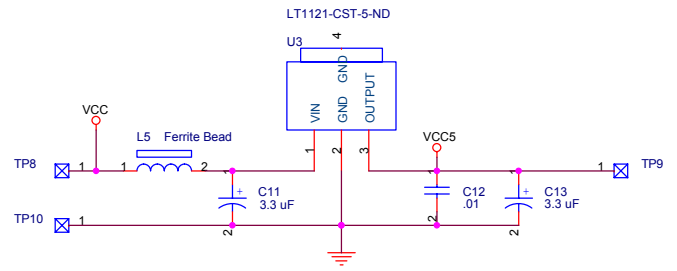


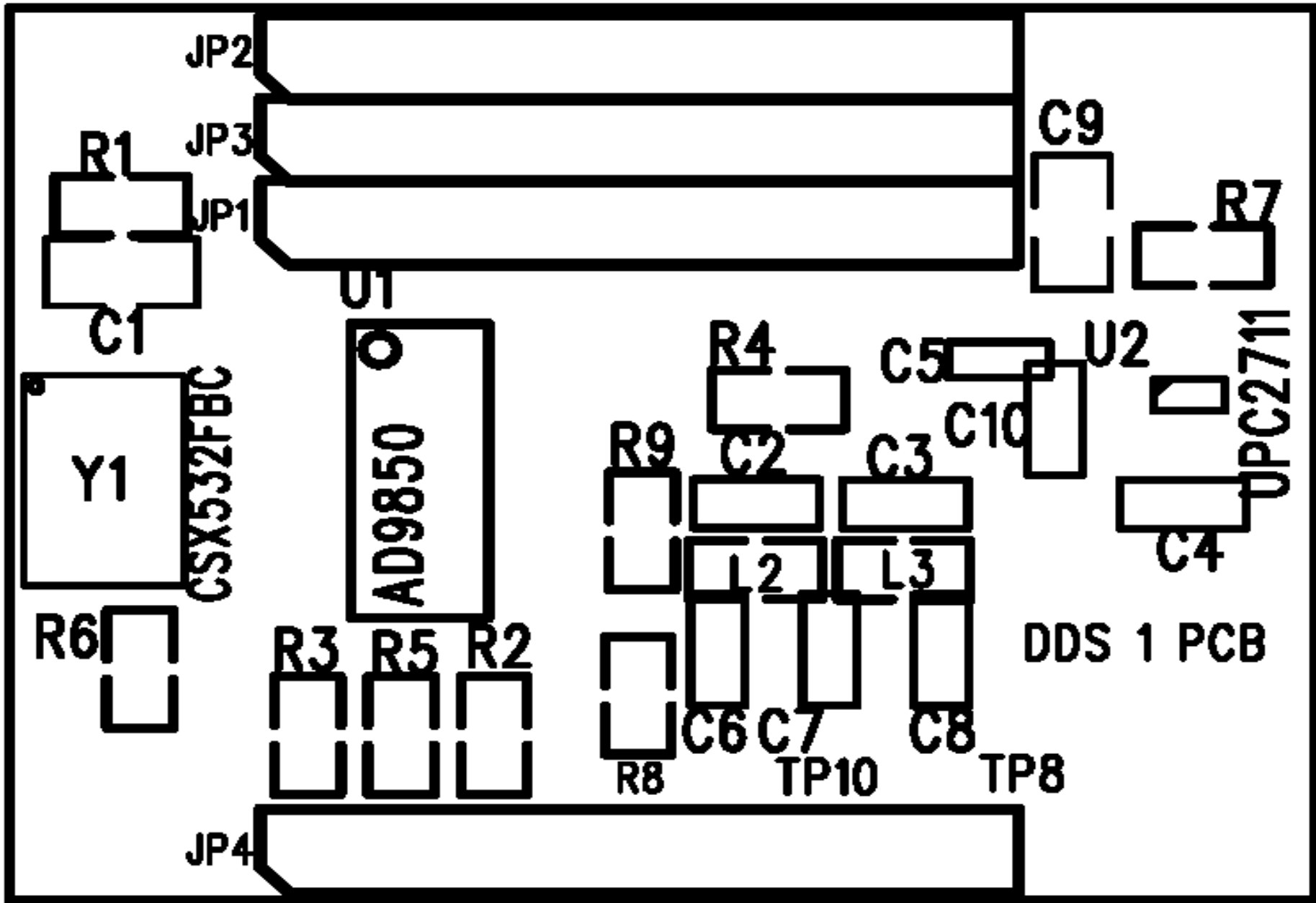
Clock and Load are swapped when compared to the original DDS Daughter card.

- 2 Options:
1. Change your software to use the correct signal
 2. Install wires to swap R3 and R5 signals

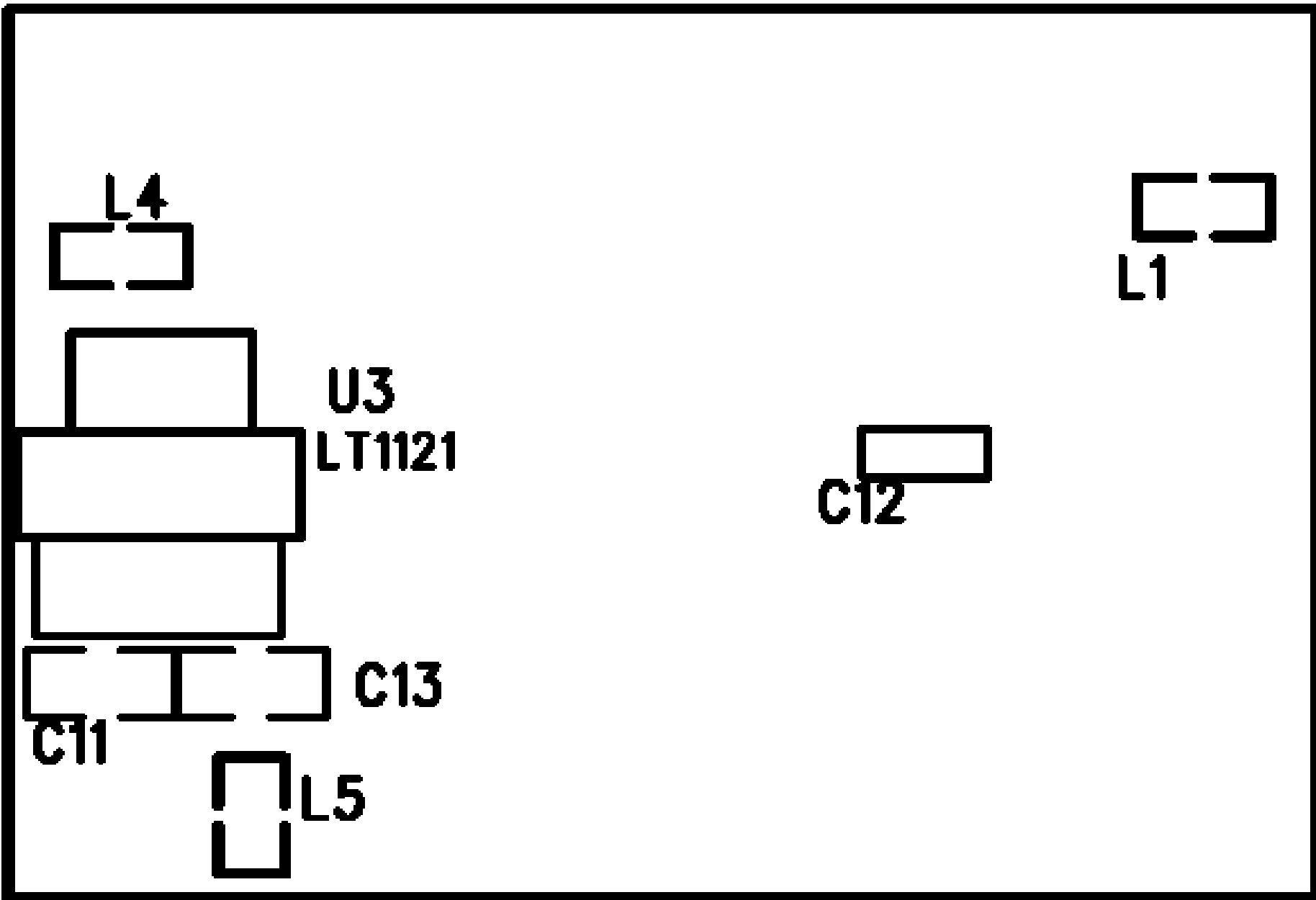
Digikey Part Numbers:
 Fixed 5 V Reg.; LT1121CST-5-ND; \$3.25 or \$2.17 @ 25
 100 Mhz Osc.; 300-8270-1-ND; \$6.19 or \$5.78 @ 10
 MMIC Amplifier; UPC2711TBCT-ND; \$1.41 or \$1.18 @ 10
 Inductor .39 uH; 553-1024-1-ND; \$.42 or \$.24 @ 25



Title			DDS_1
Size	Document Number	Rev	
B	<Doc>	B	
Date:	Wednesday, September 21, 2005	Sheet	1 of 4



Title		
Top Assembly		
Size	Document Number	Rev
A	<Doc>	B
Date:	Wednesday, September 21, 2005	Sheet 2 of 4



Title		
Bottom Assembly		
Size	Document Number	Rev
A	<Doc>	B
Date:	Wednesday, September 21, 2005	Sheet 3 of 4

Item	Quantity	Reference	Value	Part Number
1	1	C1	1 uF	
2	1	C2	10pF	
3	1	C3	33pF	
4	3	C4,C5,C10	0.1 uF	
5	2	C6,C8	100pF	
6	1	C7	150pF	
7	3	C9,C11,C13	3.3uF	
8	1	C12	0.01 uF	
9	4	JP1,JP2,JP3,JP4	8 HEADER	
10	2	R1,L1	Do not Install	
11	2	L2,L3	.39 uH	553-1024-1-ND
12	2	L4,L5	Ferrite Bead 600@100Mhz	240-1143-1-ND
13	5	R2,R3,R4,R5,R7	0	
14	1	R6	3.3K	
15	1	R8	24	
16	1	R9	51	
17	1	U1	AD9850 SSOP28	Sample- Analog Devices
18	1	U2	MMIC	UPC2711TBCT-ND
19	1	U3	5 Volt LDO Regulator	LT112CST-5-ND
20	1	Y1	100MHz Oscillator	300-8270-1-ND

Title		
Part List		
Size A	Document Number <Doc>	Rev B
Date:	Wednesday, September 21, 2005	Sheet 4 of 4