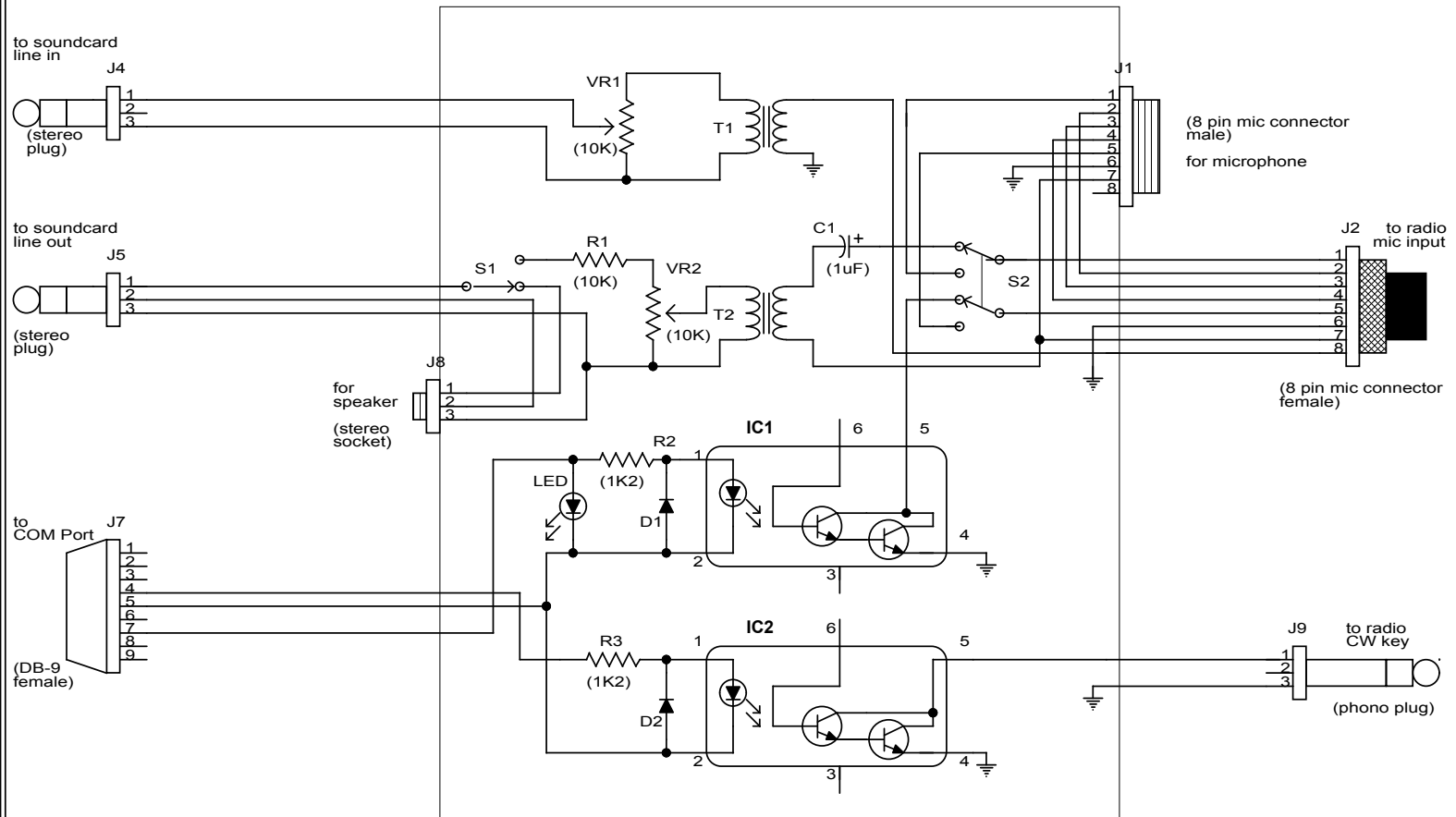


**COMPUTER - RADIO INTERFACE
FOR ICOM TRANSCEIVER**



T1, T2 = trafo audio 1:1 (600 :600)

D1, D2 = 1N4001

IC1, IC2 = optocoupler 4N25 / 4N27 / 4N33

S1 = SPDT

S2 = DPDT

PCB123

Title: INTERFACE-IC.EPC

Size A	Document Number	#003	Rev A
--------	-----------------	------	-------

Date: Wed, June 01, 2005	YE1GD
--------------------------	-------