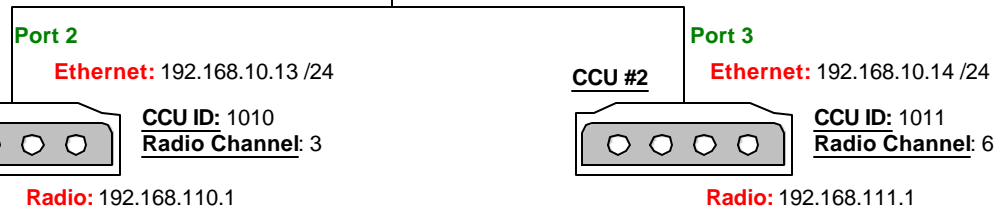
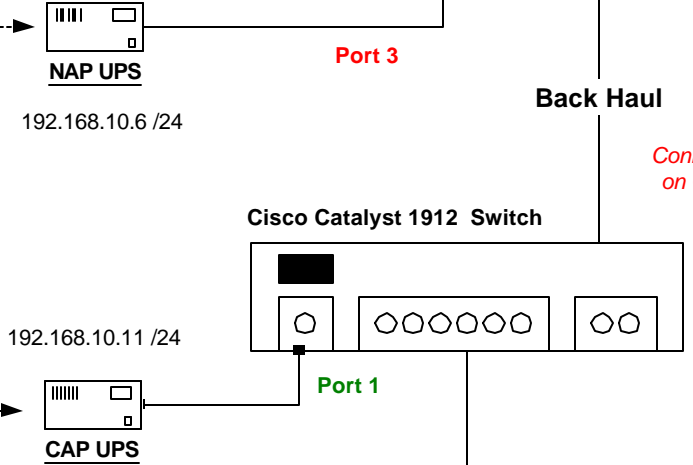
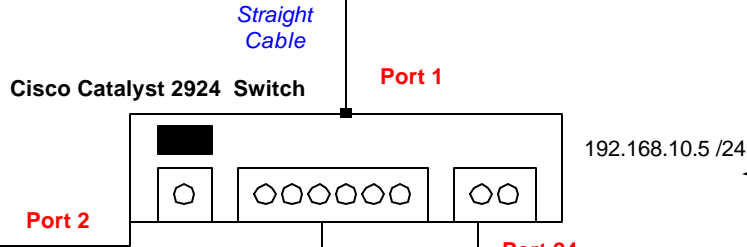
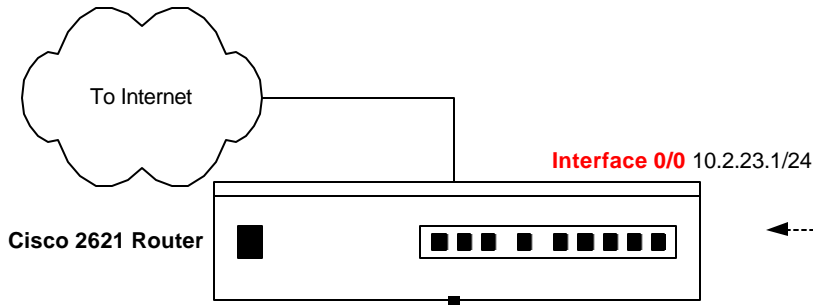


NAP Router	Routing Table
Destination	Gateway
192.168.110.0	192.168.10.13
192.168.210.0	192.168.10.13
192.168.220.0	192.168.10.13
192.168.230.0	192.168.10.13

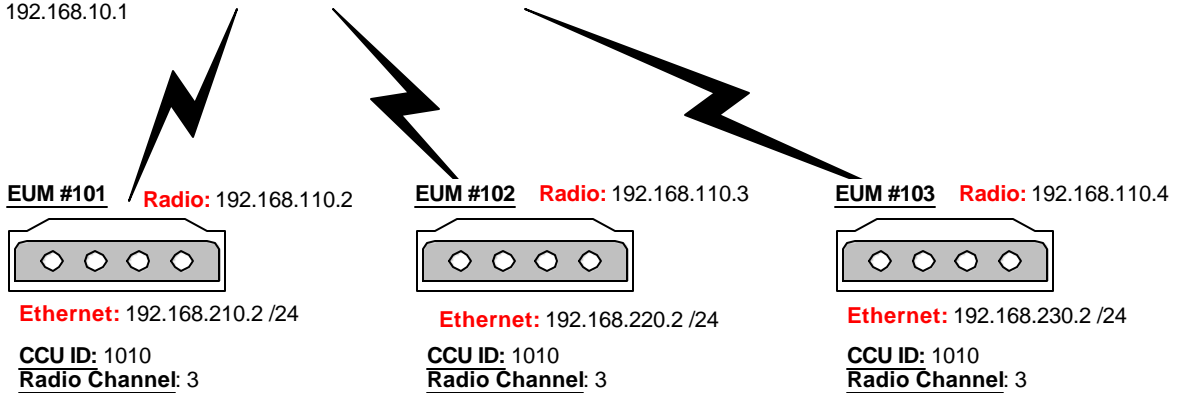
UserName: Admin
Password: (blank)
NMS Workstation
 192.168.10.7 /24

SNMP Communities:
 Read: Public
 Write: Private
 Trap: Private
Trap Server IP:
 192.168.10.7

SNMP Communities:
 Read: Public
 Write: Private
 Trap: Private
Trap Server IP:
 192.168.10.7
UserName: Cisc
Password: Cisc
Enable Secret
Password: Cisc



Routing Table	CCU1010
Destination	Gateway
192.168.210.0	192.168.110.2
192.168.220.0	192.168.110.3
192.168.230.0	192.168.110.4
0.0.0.0	192.168.10.1



Routing Table	EUM101
Destination	Gateway
0.0.0.0	192.168.110.1