

SS7

*Pocket
Guide*



TEKELEC



TEKELEC

Tekelec is a leading developer of telecommunications signaling infrastructure, soft switches, diagnostic solutions, and service applications. The company's highly reliable solutions enable telecommunications carriers and equipment suppliers to provision and test a variety of revenue-generating services featuring voice and data technologies. Tekelec's innovative solutions are widely deployed in traditional and next-generation wireline, wireless, and IP voice/data communications networks around the world

Founded in 1979, Tekelec's corporate headquarters are located in Calabasas, California, with operations in Morrisville, North Carolina; Richardson, Texas; Staines, United Kingdom; and Tokyo, Japan.

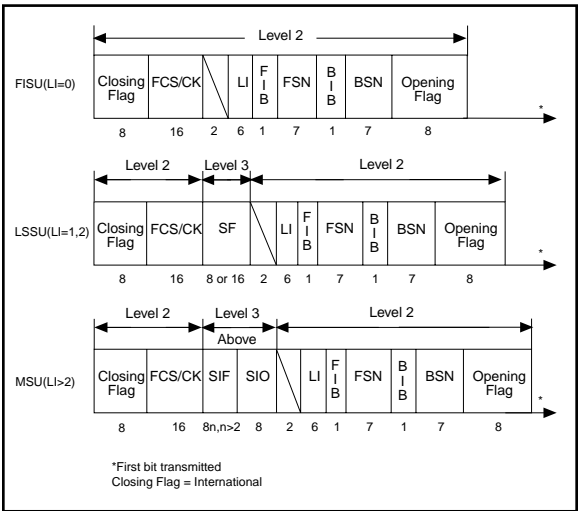
For more information please call 800.835.3532 or +1.919.460.5500

*Visit our web site at **<http://www.tekelec.com>***

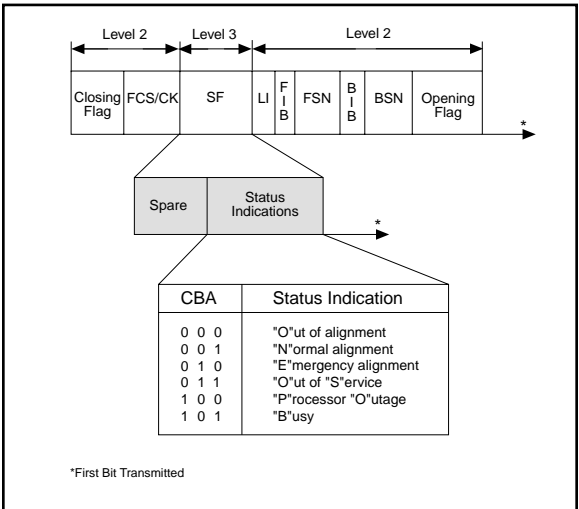
TABLE OF CONTENTS

Format of SS7 SU Types	2
SS7 LSSU Format.....	2
SIO Field.....	3
Routing Label	3
Format of SPC (ANSI)	3
Format of ISPC (ITU).....	4
MTP Management Messages Structure	4
SNM Heading Code Table	4
SNT Heading Code Table	5
MSU Signalling Message Structure	5
SS7 Function Levels	5
SNM/SNT Heading Code Table Abbreviations	6
General ISUP Message Format: Mandatory Parameter Section	7
General ISUP Message Format: Pointer Section	8
General ISUP Message Format: Optional Portion	8
SCCP Messages and Protocol Classes Table	9
SCCP Messages Parameters Table	9
SCCP Parameter Name Codes Table	10
General ISUP CIC Field	10
ISUP Mandatory/Optional Parameters Table (ANSI)	11
ISUP Mandatory/Optional Parameters Table (ITU White Book)	13
ISUP Message Type Table	15
ISUP Parameter Code Table	16
TUP Heading Code Table	18
TUP Heading Code Table Abbreviations	19
Glossary of SS7 Acronyms.....	20
SS7 References	21

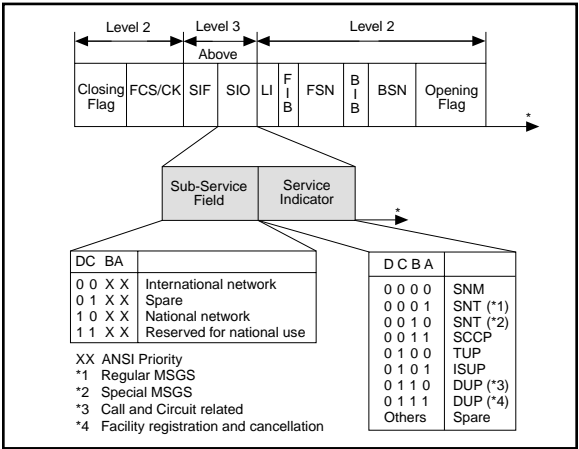
Format of SS7 SU Types



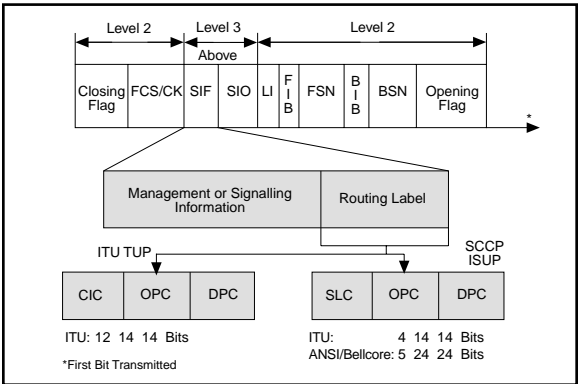
SS7 LSSU Format



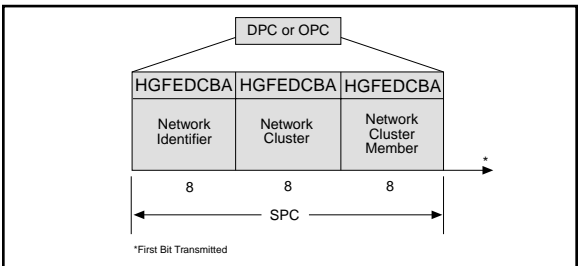
SIO Field



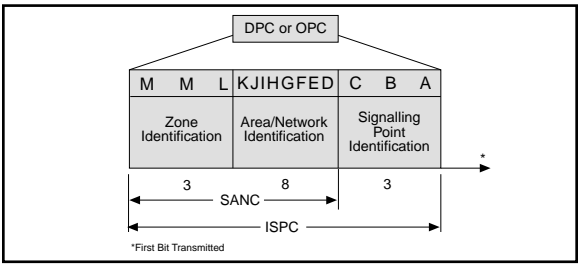
Routing Label



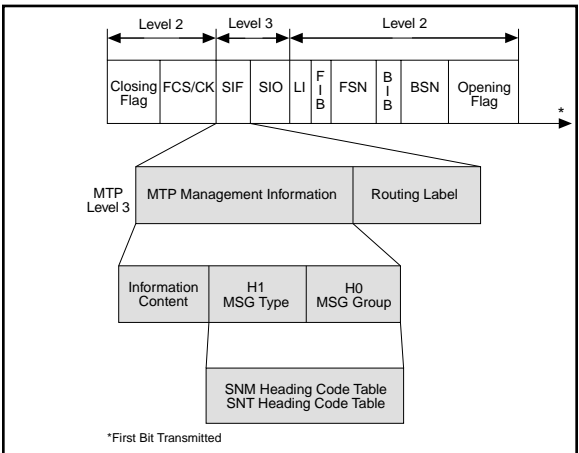
Format of SPC (ANSI)



Format of ISPC (ITU)



MTP Management Messages Structure



SNM Heading Code Table

(See Abbreviations List on page 6)

MSG Group	H0 \ H1	0000	0001	0010	0011	0100	0101	0110	0111	1000	Other
	0000										
CHM	0001		COO COA				CBD CBA				
ECM	0010		ECO ECA								
FCM	0011		RCT TFC								
TFM	0100		TFP TCP*	TFR TCR	TFA TCA*						
RSM	0101		RSP RSR	RCP RCR							
MIM	0110		LIN LUN	LIA LUA	LID LFU	LLI LRI					
TRM	0111		TRA TRW*								
DLM	1000		DLC CSS	ENS CNP							
SPARE	1001										
UFC	1010		UPU								
	1011										
	1100										
	1101										
	1110										
	1111										

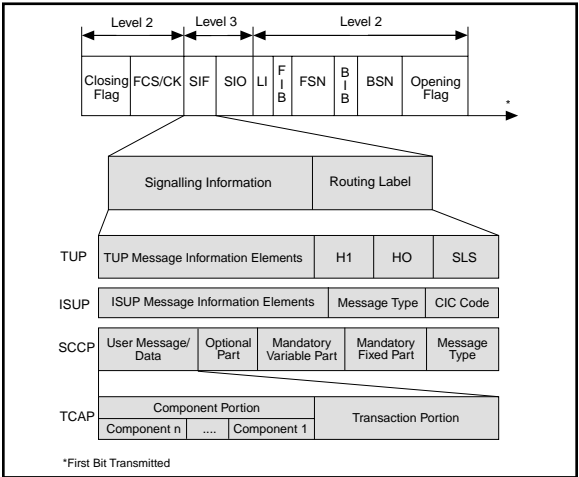
LLI = LLT in ITU
LRI = LRT in ITU
*ANSI only

SNT Heading Code Table

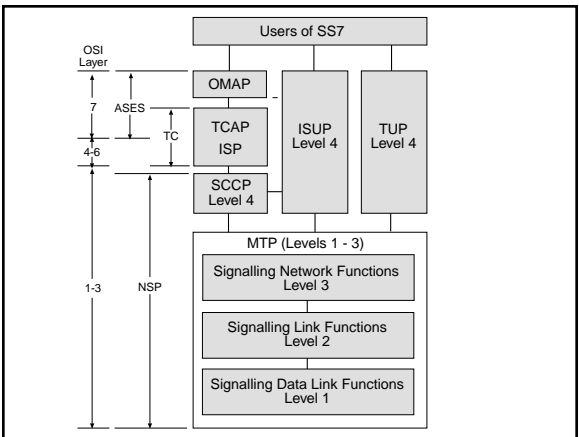
(See Abbreviations List on page 6)

MSG Group	H1 H0	0001 Test
SLTM	0001	SLTM
SLTA	0010	SLTA

MSU Signalling Message Structure



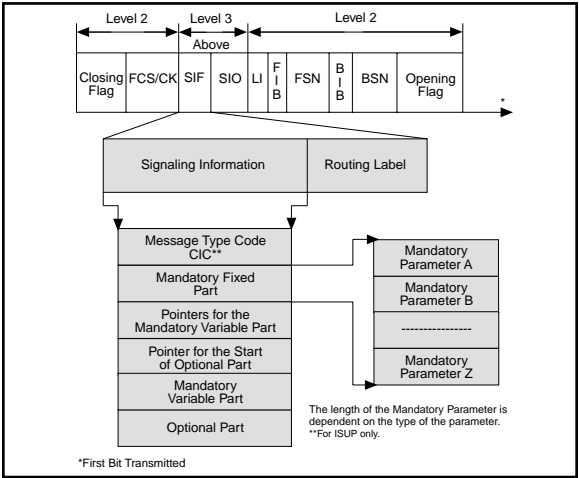
SS7 Function Levels



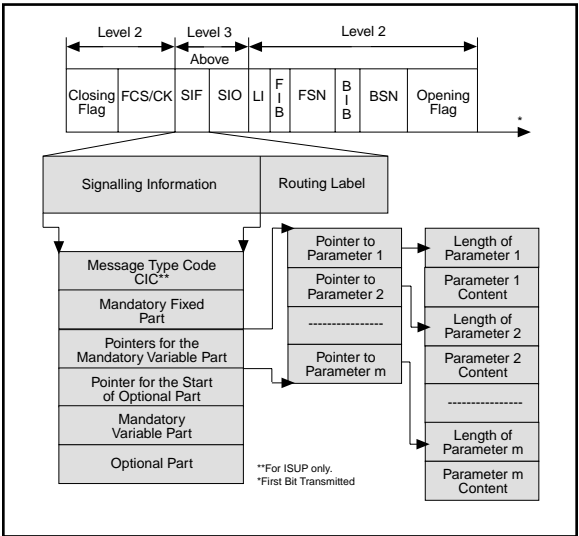
SNM/SNT Heading Code Table Abbreviations

MSG	Message Group
CBA	Changeback-acknowledgment signal
CBD	Changeback-declaration signal
CHM	Changeover and changeback messages
CNP	Connection-not-possible signal
CNS	Connection-not-successful signal
COA	Changeover-acknowledgment signal
COO	Changeover-order signal
CSS	Connection successful signal
DLC	Signalling-data-link-connection-order signal
DLM	Signalling-data-link-connection-messages
ECA	Emergency-changeover-acknowledgment signal
ECM	Emergency-changeover messages
ECO	Emergency-changeover-order signal
FCM	Signalling-traffic-flow control messages
LFU	Link forced uninhibit message
LIA	Link inhibit acknowledgment message
LID	Link inhibit denied message
LIN	Link inhibit message
LLI	Link local inhibit test signal
LRI	Link remote inhibit test signal
LUA	Link uninhibit acknowledgment
LUN	Link uninhibit message
MIM	Management inhibiting messages
RCP	Signalling-route-set-test cluster-prohibited signal
RCR	Signalling-route-set-test cluster-restricted signal
RCT	Signalling-route-set-congestion-test signal
RSM	Signalling-route-set-test messages
RSP	Signalling-route-set-test prohibited signal
RSR	Signalling-route-set-test restricted signal
SLTA	Signalling Link Test Acknowledgment
SLTM	Signalling Link Test Message
TCA	Transfer-cluster-allowed signal
TCP	Transfer-cluster-prohibited signal
TCR	Transfer-cluster-restricted signal
TFA	Transfer-allowed signal
TFC	Transfer-controlled signal
TFM	Transfer-prohibited, transfer-allowed, transfer-restricted messages
TFP	Transfer-prohibited signal
TFR	Transfer-restricted signal
TRA	Traffic restart allowed signal
TRM	Traffic restart messages
TRW	Traffic restart waiting signal
UFC	MTP user flow control messages
UPU	User part unavailable signal

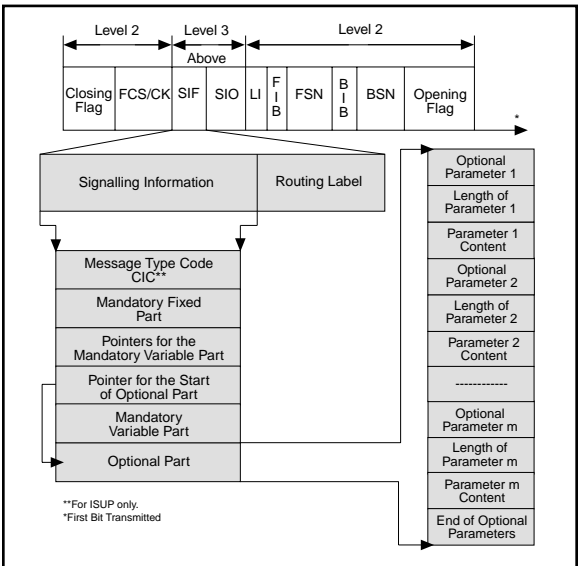
General ISUP Message Format: Mandatory Parameter Section



General ISUP Message Format: Pointer Section



General ISUP Message Format: Optional Portion



SCCP Messages and Protocol Classes Table

Protocol Class				Message Type	Code	
0	1	2	3			
	X	X		CR	Connection Request	0 0 0 0 0 0 0 1
	X	X		CC	Connection Confirm	0 0 0 0 0 0 1 0
	X	X		CREF	Connection Refused	0 0 0 0 0 0 1 1
	X	X		RLSD	Released	0 0 0 0 0 1 0 0
	X	X		RLC	Release Complete	0 0 0 0 0 1 0 1
	X			DT1	Data form 1	0 0 0 0 0 1 1 0
		X		DT2	Data form 2	0 0 0 0 0 1 1 1
		X		AK	Data Acknowledgment	0 0 0 0 1 0 0 0
X	X			UDT	Unitdata	0 0 0 0 1 0 0 1
X	X			UDTS	Unitdata Service	0 0 0 0 1 0 1 0
		X		ED	Expedited Data	0 0 0 0 1 0 1 1
		X		EA	Expedited Data Ack.	0 0 0 0 1 1 0 0
		X		RSR	Reset Request	0 0 0 0 1 1 0 1
		X		RSC	Reset Confirm	0 0 0 0 1 1 1 0
X	X			ERR	Error	0 0 0 0 1 1 1 1
X	X			IT	Inactivity Test	0 0 0 1 0 0 0 0
		X		XUDDT	Extended Unitdata*	0 0 0 1 0 0 0 1
		X		XUDDTS	Extended Unitdata Service*	0 0 0 1 0 0 1 0

* ANSI only

SCCP Messages Parameters Table

Messages/ Parameter Field	CR	CC	CREF	RLSD	RLC	DT1	DT2	AK	ED	EA	RSR	RSC	ERR	IT	UDT	XUDDT*	UDTS	XUDDTS
Message Type Code	m	m	m	m	m	m	m	m	m	m	m	m	m	m	m	m	m	m
Destination local ref.		m	m	m	m	m	m	m	m	m	m	m	m	m				
Source local ref.	m	m		m	m						m	m		m				
Called party address	m	o	o												m	m	m	m
Calling party address	o														m	m	m	m
Protocol Class	m	m												m	m	m		
Segmenting/Reassembling						m												
Receive Sequence No.								m										
Sequencing/Segmenting							m							m'				
Credit	o	o						m						m'				
Release cause				m														
Return cause																	m	m
Reset cause											m							
Error cause													m					
Data	o	o	o	o		m	m		m						m	m	m	m
Refusal cause			m															
End of opt. parameters	o	o	o	o												o		o
SCCP Hop Counter	o															m		m
ISNI	o															o		o

1) Information in these fields is ignored if the protocol class parameter indicates class 2

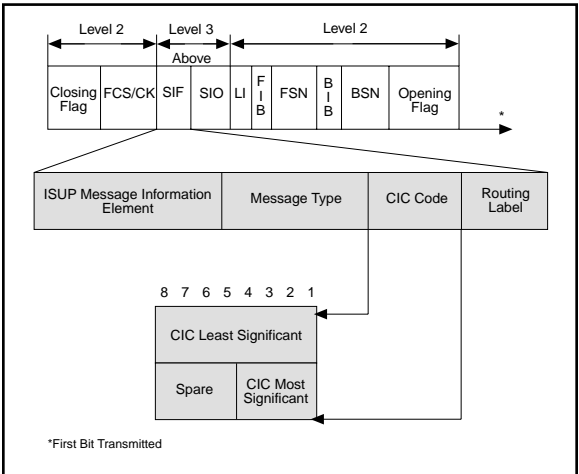
* ANSI only

SCCP Parameter Name Codes Table

Parameter Name	Binary Code	
	8765	4321
End of optional parameters	0000	0000
Destinations local reference	0000	0001
Source local reference	0000	0010
Called party address	0000	0011
Calling party address	0000	0100
Protocol class	0000	0101
Segmenting/reassembling	0000	0110
Receive sequence number	0000	0111
Sequencing/segmenting	0000	1000
Credit	0000	1001
Release cause	0000	1010
Return cause	0000	1011
Reset cause	0000	1100
Error cause	0000	1101
Refusal cause	0000	1110
User data	0000	1111
SCCP hop counter*	0001	0000
ISNI*	1111	1010

* ANSI only

General ISUP CIC Field



ISUP Mandatory/Optional Parameters Table (ANSI)

PARAMETER FIELD	IAM	INR	INF	CRA	CRM	COT	ACM	EXM	ANM	CPG	FOT	REL	CFN	CVR	CVT	CCR	BLO	BLA	SUS	CGB	CGBA	GRS	QOR	FAC
	M	M	M	M	M	M	M	M	M	M	M	M	M	M	M	RSC	UBL	UBA	RES	CGU	CGUA	GRA	QOR	FAC
															LPA	UCIC						CGM		
Message Type	M	M	M	M	M	M	M	M	M	M	M	M	M	M	M	M	M	M	M	M	M	M	M	M
Access Transport	O	O					O		O			O										M		
Automatic Congestion Level												O												
Backward Call Indicators							M		O															
Business Group	O	O	O				O		O															
Call Reference	O	O	O				O		O			O							O					
Called Party Number	M																							
Charge Number	O	O										O												
Calling Party Number	O	O																						
Calling Party's Category	M	O																						
Carrier Identification	O																							
Carrier Selection Information	O																							
Cause Indicators							O					M	M											
Circuit Group Assignment Map	O													M								O		
Circuit Group Characteristic Indicators																				M	M			
Circuit Group Supervision Message Type Ind														O										
Circuit Identification Name																								
Circuit State Indicator																							M	
Circuit Validation Response Ind														M										
CLLI Code														O										
Connection Request	O	O	O				O		O															
Continuity Indicators						M																		
Egress Service	O																							
Event Information									M															
Forward Call Indicators	M																							
Generic Address	O											O												
Generic Digits	O																							

ISUP Mandatory/Optional Parameters Table (ANSI) Continued

PARAMETER FIELD	IAM	INR	INF	CRA	CRM	COT	ACM	EXM	ANM	CPG	FOT	REL	CFN	C/VR	CVT	CCR	BLO	BLA	SUS	CGB	CGBA	GRA	GRS	QOR	FAC
Generic Name	O																								
Hop Counter	O																								
Information Indicators			M				O		O																
Information Request Indicators	O	M																							
Jurisdiction Information	O																								
Nature of Connection Indicators	M			M																					
Network Transport	O	O					O		O																
Notification Indicator							O																		
Original Called Number	O																								
Operator Services Information	O																								
Opt. Backward Call Indicators							O		O																
Originating Line Information	O		O																						
Outgoing Trunk Group Number								O																	
Precedence	O																								
Range and Status																				M	M	M	M		
Redirection Information	O		O				O																		
Redirecting Number	O																								
Remote Operations	O						O		O																O
Service Activation	O						O		O																O
Service Code	O																								
Special Processing Request	O																		M						
Suspend/Resume Indicators																									
Transaction Request	O																								
Transit Network Selection	O						O		O																
Transmission Medium Used																									
User Service Information																									
User Service Information Prime	O																								
User-to-User Indicators							O		O																
User-to-User Information	O		O				O		O																

ISUP Mandatory/Optional Parameters Table (ITU White Book)

Message	IAM	SAM	IN	IN	COT	ACM	CO	CP	ANIM	FOT	RE	RL	CC RS LPA	BLO UBL OL	BLA UBA UCI	SU RE	CF	CG CG	CGB CGU	CQ GR GR	CQ	FAA FAR	FR	FAC	ID	IR	NR	SG	PAM	US	UPA UP						
PARAMETER FIELD																																					
Message Type	F	F	F	F	F	F	F	F	F	F	F	F	F	F	F	F	F	F	F	F	F	F	F	F	F	F	F	F	F	F	F	F	F				
Access Delivery Information	O	O	O	O	O	O	O	O	O	O	O	O																									
Access Transport																																					
Automatic Congestion Level																																					
Backward Call Indicators						F	F	O	O																												
Call Diversion Information						O	O	O	O																												
Call History Information						O	O	O	O													O															
Call Reference	O	O	O	O	O	O	O	O	O	O	O	O																									
Called Party Number	V																																				
Calling Party Number	O			O																							O										
Calling Party's Category	F			O																																	
Cause Indicators						O	O	O			V	O																									
Circuit Group Supervision Message Type Ind.																																					
Circuit State Indicator																																					
CUG Interlock Code	O																																				
Connected Number							O		O																												
Connection Request	O			O																		O															
Continuity Indicators																																					
Echo Control Information							O	O	O																												
End of Optional Parameters	O	O	O	O	O	O	O	O	O	O	O	O	O	O	O	O	O	O	O	O	O	O	O	O	O	O	O	O	O	O	O	O	O	O	O	O	O
Event Information								F																													
Facility Indicator																																					
Forward Call Indicator	F																																				
Generic Digit	O																																				
Generic Notification Ind.	O					O	O	O	O																												
Generic Number	O						O		O																		O										
Generic Reference	O																																				
Information Indicators																																					
Information Request Indicators											F																										

F = Mandatory fixed length parameter

V = Mandatory variable length parameter

O = Optional parameter, fixed or variable length

ISUP Mandatory/Optional Parameters Table (ITU White Book) Continued

Message	IAM	SAAM	IN	IN	COT	ACM	CO	CP	ANM	FOT	RE	RL	CC RS LPA	BLO UBL OL	BLA UBA UCI	SU RE	CF	CG CG	CGB CGU	CQ GR GR	CQ GR	FAA FAR	FR	FAC	ID	IR	NR	SG	PAM	US	UPA UP								
PARAMETER FIELD																																							
Location Number	O																																						
Message Compatibility Information																																							
MCID Response Indicator																																							
MCID Request Indicators																																							
MLPP Precedence	O																																						
Nature of Connection Indicators	F																																						
Network Specific Facility	O		O	O		O	O	O	O		O																												
Optional Backward Call Indicators						O	O	O	O																														
Optional Forward Call Indicators						O	O	O	O																														
Original Called Number	O																																						
Originating ISC Point Code	O																																						
Parameter Compatibility Information	O		O	O		O	O	O	O		O																												
Propagation Delay Counter	O																																						
Range and Status	O																																						
Redirection Information	O																																						
Redirecting Number	O																																						
Redirection Number																																							
Redirection Number Restr.							O	O	O	O	O																												
Remote Operations	O						O	O	O	O	O																												
Service Activation	O						O	O	O	O	O																												
Signaling Point Code																																							
Subsequent Number																																							
Suspend/Resume Indicators																																							
Transit Network Selection	O																																						
Transmission Medium Requirement	F																																						
Transmission Medium Requirement Prime	O																																						
Transmission Medium Used																																							
User Service Information	O						O	O	O	O	O																												
User Service Information Prime	O																																						
User-to-User Indicators	O						O	O	O	O	O																												
User-to-User Information	O						O	O	O	O	O																												

F = Mandatory fixed length parameter

V = Mandatory variable length parameter

O = Optional parameter, fixed or variable length

ISUP Message Type Table

Acronym	Message Type	Code
ACM	Address Complete	00000110
ANM	Answer	00001001
BLO	Blocking	00010011
BLA	Blocking Acknowledgment	00010101
CMC	Call Modification Completed	00011101*
CMRJ	Call Modification Reject	00011110*
CMR	Call Modification Request	00011100*
CPG	Call Progress	00101100
CGB	Circuit Group Blocking	00011000
CGBA	Circuit Group Blocking Acknowledgment	00011010
CQM	Circuit (Group) Query	00101010
CQR	Circuit (Group) Query Response	00101011
GRS	Circuit Group Reset	00010111
GRA	Circuit Group Reset Acknowledgment	00101001
CGU	Circuit Group Unblocking	00011001
CGUA	Circuit Group Unblocking Acknowledgment	00011011
CRM	Circuit Reservation	11101010*
CRA	Circuit Reservation Acknowledgment	11101001*
CVR	Circuit Validation Response	11101011*
CVT	Circuit Validation Test	11101100*
CSVVR	CUG Selection and Validation Request	00100101*
CSVVS	CUG Selection and Validation Response	00100110*
CRG	Charge Information	00110001**
CFN	Confusion	00101111
CON	Connect	00000111
COT	Continuity	00000101
CCR	Continuity Check Request	00010001
DRS	Delayed Release	00100111*
EXM	Exit	11101101*
FAC	Facility	00110011
FAA	Facility Accepted	00100000
FAD	Facility Deactivated	00100010*
FAI	Facility Information	00100011*
FRJ	Facility Reject	00100001
FAR	Facility Request	00011111
FOT	Forward Transfer	00001000
IDR	Identification Request	00110110**
IRS	Identification Response	00110111**
INF	Information	00000100
INR	Information Request	00000011
IAM	Initial Address	00000001
LPA	Loop Back Acknowledgment	00100100
NRM	Network Resource Management	00110010
OLM	Overload	00110000
PAM	Pass-along	00101000
REL	Release	00001100
RLC	Release Complete	00010000
RSC	Reset Circuit	00010010
RES	Resume	00001110
SGM	Segmentation	00111000
SAM	Subsequent Address	00000010
SUS	Suspend	00001101
UBL	Unblocking	00010100
UBA	Unblocking Acknowledgment	00010110
UCIC	Unequipped CIC	00101110
UPA	User Part Available	00110101
UPT	User Part Test	00110100
USR	User-to-user Information	00101101

* ANSI-ISUP only

** ITU-ISUP only

ISUP Parameter Code Table

Message Type	Code
Access Delivery Information	00101110**
Access Transport	00000011
Automatic Congestion Level	00100111
Backward Call Indicators	00010001
Business Group	11000110*
Call Diversion Information	00110110**
Call History Information	00101101**
Call Modification Indicators	00010111*
Call Reference	00000001
Called Party Number	00000100
Calling Party Number	00001010
Calling Party's Category	00001001
Carrier Identification	11000101*
Carrier Selection Information	11101110*
Cause Indicators	00010010
Charge Number	11101011*
Circuit Assignment Map	00100101*
Circuit Group Characteristic Indicator	11100101*
Circuit Group Supervision Message Type Ind.	00010101
Circuit Identification Name	11101000*
Circuit State Indicator	00100110
Circuit Validation Response Indicator	11100110*
CUG Check Response Indicators	00011100*
CUG Interlock Code	00011010
COMMON LANGUAGE	11101001*
Connected Number	00100001
Connection Request	00001101
Continuity Indicators	00010000
Echo Control Information	00110111**
Egress	11000011*
End of Optional Parameters	00000000
Event Information Indicators	00100100
Facility Indicator	00011000
Facility Information Indicators	00011001*
Forward Call Indicators	00000111
Freephone Indicators	01000001**
Generic Address	11000000*
Generic Digits	11000001
Generic Name	11000111*
Generic Notification	00101100**
Generic Number	11000000**
Generic Reference	01000010**
Hop Counter	00111101
Index	00011011*
Information Indicators	00001111
Information Request Indicators	00001110
Jurisdiction	11000100*
Location Number	00111111**
MCID Request Indicator	00111011**
MCID Response Indicator	00111100**
Message Compatibility Information	00111000**
MLPP Precedence	00111010**
Nature of Connection Indicators	00000110
Network Specific Facilities	00101111**
Network Transport	11101111*
Notification Indicator	11100001*

* ANSI-ISUP only

** ITU-ISUP only

ISUP Parameter Code Table *Continued*

Message Type	Code
Operator Services Information	11000010*
Optional Backward Call Indicators	00101001
Optional Forward Call Indicators	00001000
Original Called Number	00101000
Originating Line Information	11101010*
Origination ISC Point Code	00101011**
Outgoing Trunk Group Number	11100111*
Parameter Compatibility Information	00111001**
Precedence	00111010*
Propagation Delay Counter	00110001**
Range and Status	00010110
Redirecting Number	00001011
Redirection Information	00010011
Redirection Number	00001100
Redirection Number Restriction	01000000**
Remote Operations	00110010
Service Activation	00110011
Service Code Indicator	11101100*
Signaling Point Code	00011110
Special Processing Request	11101101*
Subsequent Number	00000101
Suspend/resume Indicators	00100010
Transaction Request	11100011*
Transit Network Selection	00100011
Transmission Medium Requirement	00000010
Transmission Medium Requirement Prime	00111110**
Transmission Medium Used	00110101
User Service Information	00011101
User Service Information Prime	00110000
User Teleservice Information	00110100**
User-to-user Indicators	00101010
User-to-user Information	00100000

* ANSI-ISUP only

** ITU-ISUP only

TUP Heading Code Table

MSG Group	H1 H0	0000	0001	0010	0011	0100	0101	0110	0111	1000	1001	1010	1011	1100	1101	1110	1111
	0000																
FAM	0001	IAM	IAI	SAM	SAO												
FSM	0010	GSM		COT	CCF												
BSM	0011	GRQ															
SBM	0100	ACM	CHG														
UBM	0101	SEC	CGC	NNC	ADI	CFL	SSB	UNN	LOS	SST	ACB	DPN	MPR				EUM
CSM	0110	ANC	ANN	CBK	CLF	RAM	FOT	CCL									
CCM	0111	RLG	BLO	BLA	UBL	UBA	CCR	RSC									
GRM	1000	MGB	MBA	MGU	MUA	HGB	HBA	HGU	HUA	GRS	GRA	SGB	SBA	SGU	SUA		
	1001																
CNM	1010	ACC															
	1011																
	1100																
	1101																
	1110																
	1111																

TUP Heading Code Table Abbreviations

ACB	Access barred signal
ACC	Automatic congestion control information message
ACM	Address complete message
ADI	Address incomplete signal
ANC	Answer signal, charge
ANN	Answer signal, no charge
ANU	Answer signal, unqualified
BLA	Blocking-acknowledgment signal
BLO	Blocking signal
BSM	Backward set-up message
CBK	Clear-back signal
CCF	Continuity failure signal
CCL	Calling party clear signal
CCM	Circuit supervision message
CCR	Continuity-check-request signal
CFL	Call failure signal
CGC	Circuit-group-congestion signal
CHG	Charging message
CLF	Clear-forward signal
CNM	Circuit network management message group
COT	Continuity signal
CSM	Call supervision message
DPN	Digital path not provided signal
EUM	Extended unsuccessful backward set-up information message
FAM	Forward address message
FOT	Forward-transfer signal
FSM	Forward set-up message
GRA	Circuit group reset-acknowledgment message
GRM	Circuit group supervision messages
GRQ	General request message
GRS	Circuit group reset message
GSM	General forward set-up information message
HBS	Hardware failure oriented group blocking-acknowledgment message
HGH	Hardware failure oriented group blocking message
HGU	Hardware failure oriented group unblocking message
HUA	Hardware failure oriented group unblocking-acknowledgment message
IAI	Initial address message with additional information
IAM	Initial address message
LOS	Line-out-of-service signal
MBA	Maintenance oriented group blocking-acknowledgment message
MGB	Maintenance oriented group blocking message
MGU	Maintenance oriented group unblocking message
MPR	Misdialed trunk prefix

TUP Heading Code Table Abbreviations *Continued*

MUA	Maintenance oriented group unblocking acknowledgment message
NNC	National-network-congestion signal
RAN	Reanswer signal
RLG	Release-guard signal
RSC	Reset-circuit signal
SAM	Subsequent address message
SAO	Subsequent address message with one signal
SBA	Software generated group blocking-acknowledgment message
SBM	Successful backward set-up information message
SEC	Switching-equipment-congestion signal
SGB	Software generated group blocking message
SGU	Software generated group unblocking message
SSB	Subscriber-busy signal (electrical)
SST	Send-special-information tone signal
SUA	Software generated group unblocking-acknowledgment
UBA	Unblocking-acknowledgment signal
UBL	Unblocking signal
UBM	Unsuccessful backward set-up information message
UNN	Unallocated number signal

Glossary of SS7 Acronyms

ASE	Application Service Element
BIB	Backward Indicator Bit
BSN	Backward Sequence Number
CCITT	International Telegraph & Telephone Couculturalive Committee
CCS	Common Channel Signalling
CIC	Circuit Identification Code
DPC	Destination Point Code
DUP	Data User Part
FCS	Frame Check Sequence
FIB	Forward Indicator Bit
FSN	Forward Sequence Number
FISU	Fill-In Signal Unit
GTT	Global Title Translation
ISP	Intermediate Service Part
ISPC	International Signalling Point Code
ISUP	ISDN User Part
LI	Length Indicator
LSSU	Link Status Signal Unit
MSU	Message Signal Unit
MTP	Message Transfer Part
NSP	Network Services Part
OMAP	Operations and Maintenance Application Part

Glossary of SS7 Acronyms *Continued*

OPC	Origination Point Code
OSI	Open Systems Interconnection
SANC	Signalling Area Network Code
SCCP	Signalling Connection Control Part
SEP	Signalling End Point
SF	Status Field
SI	Service Indicator
SIF	Signalling Information
SIO	Service Information Octet
SLC	Signal Link Code
SLS	Signal Link Selection
SNM	Signalling Network Management
SNT	Signalling Network Testing
SP	Signalling Point
SPC	Signalling Point Code
SPR	Signalling Point W/SCCP Relay function
SSF	Sub-Service Field
STP	Signal Transfer Point
SU	Signal Units
TC	Transaction Capabilities
TCAP	Transaction Capabilities Application Part
TUP	Telephone User Part

SS7 References

CCITT White Book, Volume VI, Fascicle VI.7,
Recommendations Q.700-Q.716: Specifications of
Signalling System No. 7.

CCITT White Book Volume VI, Fascicle VI.8,
Recommendations Q.721-Q.766: Specifications of
Signalling System No.7.

ITU White Book, ITU-T Recommendation Q.763:
Specifications of Signalling System Number 7.

GR-246-CORE, Issue 1, December 1994:
Specifications of Signalling System Number 7.

Even though the specifications herein may resemble specifications, descriptions or requirements of third parties or portions thereof, nothing herein shall be deemed, expressly or by implication, to be a warranty by such third parties or an endorsement by any of them or concurrence by any of them in any representation with respect to the SS7 Pocket Guide developed by TEKELEC, its employees or agents.

Corporate Headquarters

26580 West Agoura Road
Calabasas, California 91302

Tel +1.818.880.5656

Fax +1.818.880.6993

5200 Paramount Parkway
Morrisville, North Carolina 27560

Tel +1.919.460.5500

Fax +1.919.460.0877

2425 N. Central Expressway
Richardson, Texas 75080

Tel +1.972.301.1300

Fax +1.972.643.4510

Knyvett House, The Causeway
Staines, Middlesex TW18 3BA, UK

Tel +44.1784.898138

Fax +44.1784.898320

www.tekelec.com