
Appendix B

Wall & Roof Mount Specifications

1. Wall Mounts

- a. For 12"-24" Antennas
2 3/8"- 3" Outside Diameter ("OD") PipeB-1
- b. For 30"-48" Antennas
4.5" OD PipeB-2
- c. Mounting Hardware for Solid Concrete WallsB-3
- d. Slider Bracket Kit for Wall MountingB-4

2. Roof Mounts

- a. Non-Penetrating Tripods ("Gravity Mounts")
for 12"-18" Diameter Antennas
9'6" High x 2 3/8" OD PipeB-5
15' High x 2 3/8" OD PipeB-6

for 24"-48" Diameter Antennas
8' High x 4.5" Diameter (O.D.) PipeB-7
- b. Rubber Roof Mat Kit for All Non-Penetrating TripodsB-7
- c. Non-Penetrating Adapter for Anchor or Through Bolted

From 5'-20'B-8
- d. Anchor or Through-Bolted Tripod Mounts
for 24"-48" Antennas

From 5'-20'B-9 & B-10

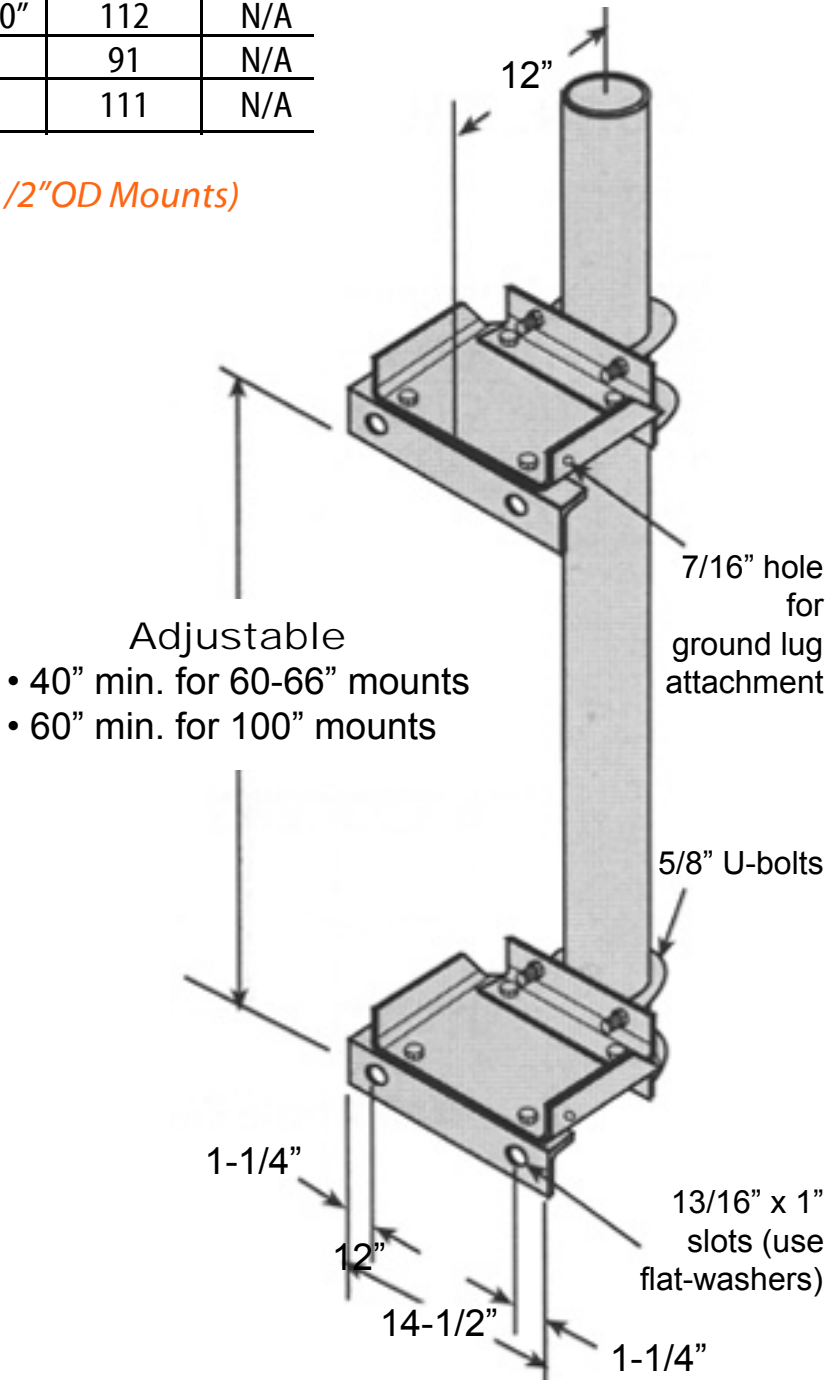
ANTENNA WALL MOUNTS 2-3/8" to 3" OD

Part Number	Description	Weight lbs.	Max. Ant. Diam.
91198	2-3/8" OD x 66"	80	N/A
91148	2-7/8" OD x 60"	92	N/A
91147	2-7/8" OD x 100"	112	N/A
B1643	3" OD x 60"	91	N/A
B1644	3" OD x 100"	111	N/A

(See Pg.B-2 for 4-1/2" OD Mounts)

Wall Mount

for 12" to 24" Antennas

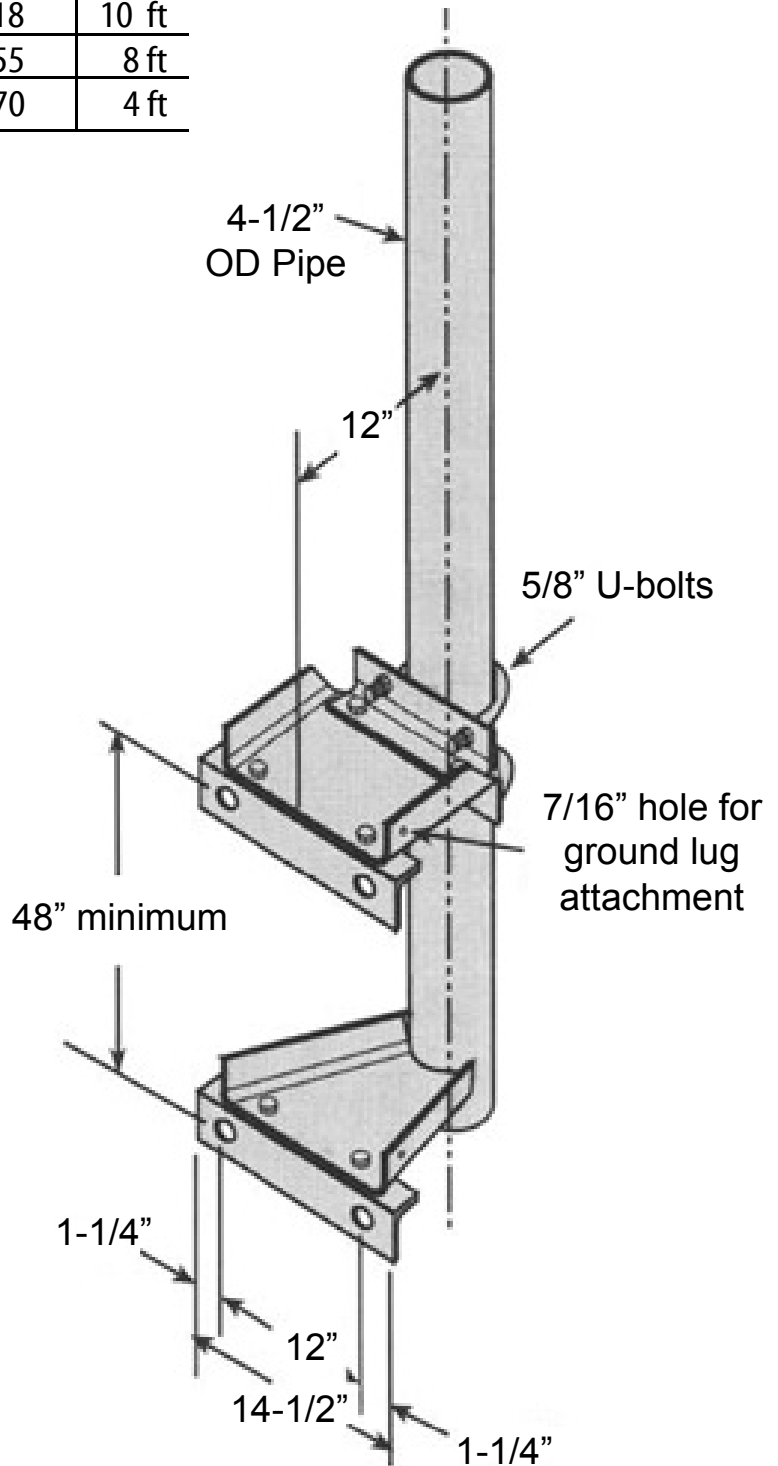


ANTENNA WALL MOUNTS 4.5"OD

Part Number	Description	Weight lbs.	Max. Ant. Diam.
91146	4-1/2"OD x 60"	118	10 ft
91145	4-1/2"OD x 100"	155	8 ft
91152	4-1/2"OD x 13'	170	4 ft

Wall Mount

for 30" to 48" Antennas



For Solid Concrete Walls

Mounting hardware includes:

4 - Mounting Angles

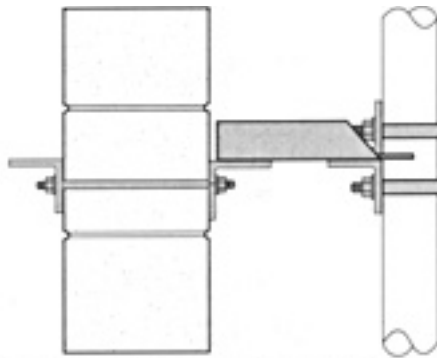
4 - 5/8" x 24" Threaded Rod with 5/8" nuts, flat washers and lock washers.

4 - Flushwall Inserts with 5/8" x 1 - 1/4" bolts, nuts, flat washers and lock washers.

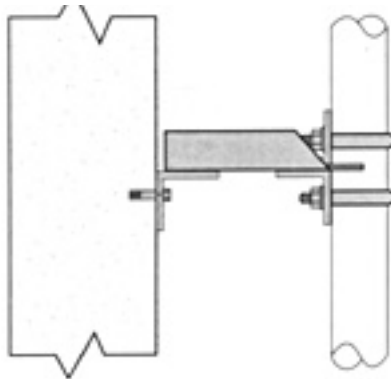
Stainless

1-888-880-9191

ValMont Microflect



FOR WALLS UP TO 20" THICK



FOR SOLID CONCRETE WALLS

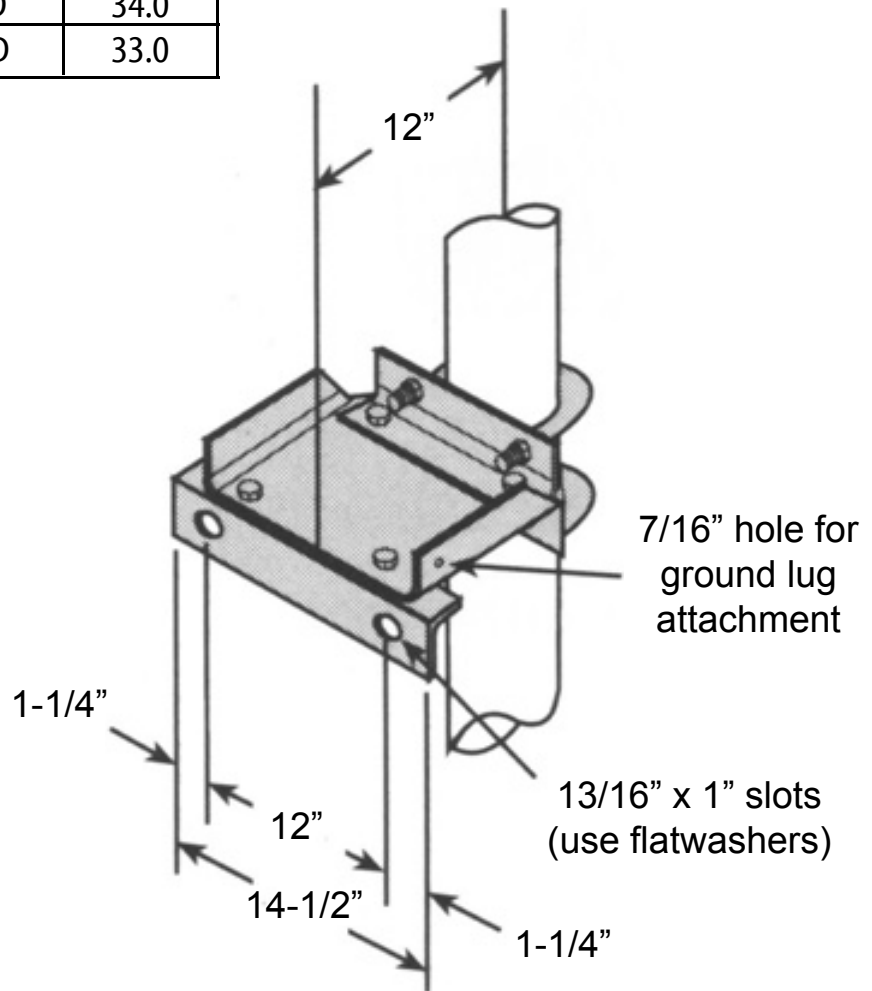
Slider Bracket Kit for Wall Mounting

(included with Antenna Wall Mounts)

The Slider Bracket Kit includes 5/8" mounting hardware for both wall-type applications and the following:

- 1 - Adjustable pipe clamp weldment
- 2 - U-bolt assembly
- 2 - Mounting Angle

Part Number	Description	Weight lbs.
B1329	For 4-1/2"OD	35.0
B1330	For 2-7/8"OD	34.0
B1476	For 2-3/8"OD	33.0

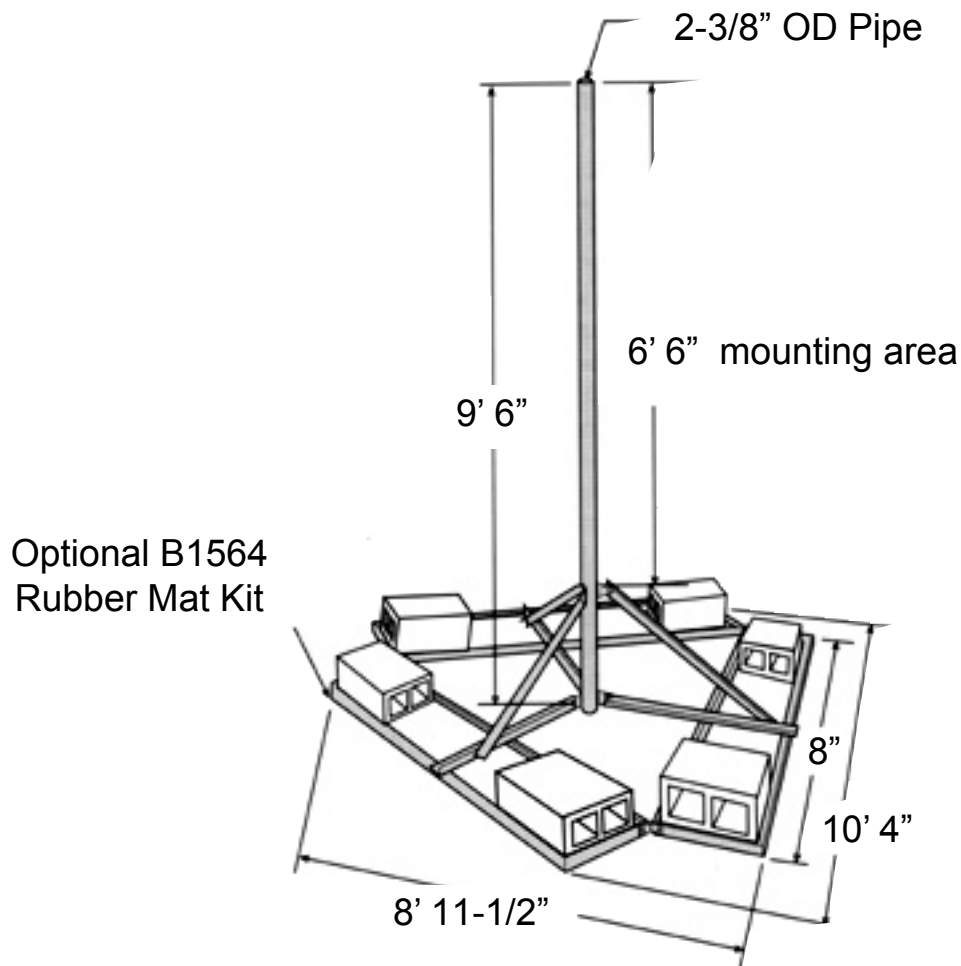


99281 Roof-Top Tripod

The 9-1/2' high 99281 Tripod supports antennas that mount on the top 6-1/2' of the 2-3/8" OD mast. One B1564 Rubber Mat Kit (B-7) protects the roof under the three ballast trays.

Weight: 260 lbs.

Max. antenna loading is 200 lb wind load applied 1' below mast top.

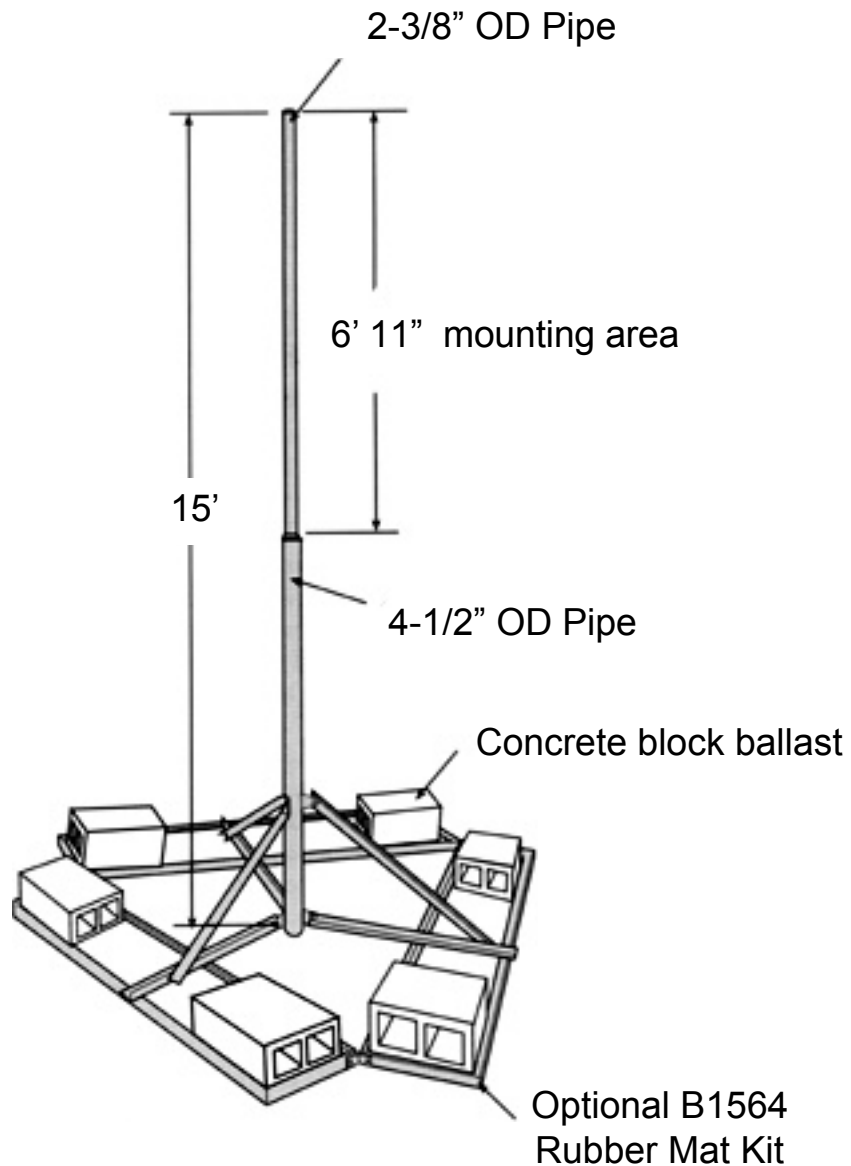


99289 Roof-Top Tripod

The 15' high 99289 Tripod supports antennas that mount on the top 83" of the 2-3/8" OD mast. One B1564 Rubber Mat Kit (B-7) protects the roof under the three ballast trays.

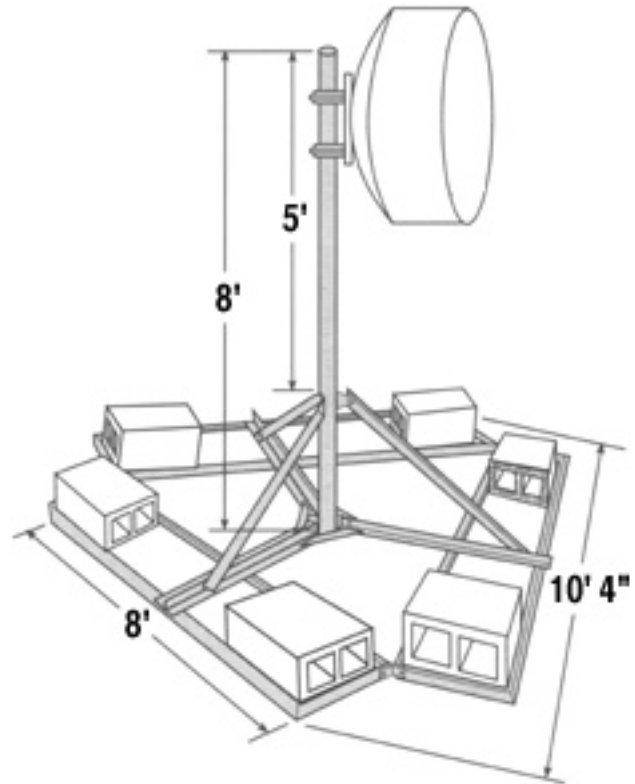
Weight: 380 lbs.

Max. antenna loading is 200 lb wind load applied 1' below mast top.



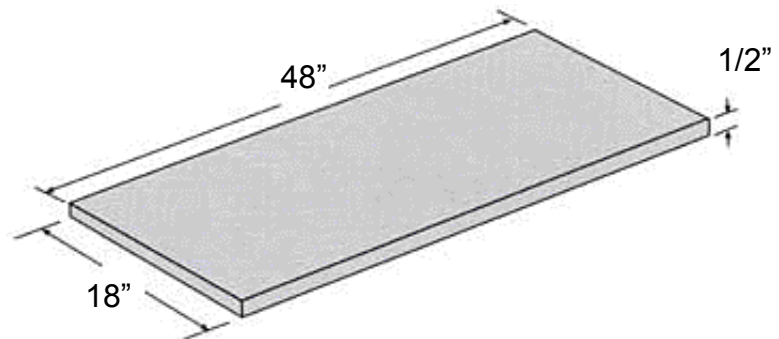
99282 NON-PENETRATING TRIPOD

The 99282 Non-penetrating Tripod accommodates up to a 4 ft. high-performance dish antenna that mounts to the top of the 8 ft. high, 4-1/2" OD mast. The Tripod's ballast platforms are an integral part of the Tripod, which provides an efficient and economical design. The tripod is secured using concrete blocks (not included). The bottom of the Tripod is smooth, without bolt-heads, to avoid roof damage, and all members are easily transported to the roof by elevator. An optional Rubber Mat Kit (below) is available to further protect the roof surface.



B1564 RUBBER MAT KIT for Roof-top Tripod

The Rubber Mat Kit for Roof-top Tripods provides protection of the roof surface. Each kit, with six 1/2" x 18" x 18" long mats, protects all three ballast trays of a Roof-top Tripod.



Weight: 85 lbs

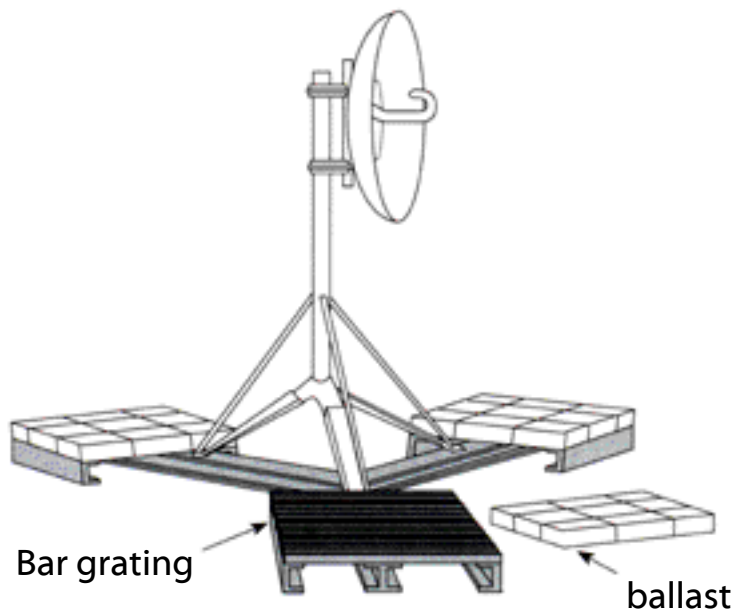


1-888-880-9191

91089 NON-PENETRATING ADAPTER for Tripod

The 91089 provides the capability to install the S-, 3S, and V- series of Tripods without anchor bolt penetration of the roof. The Non-penetrating Adapter consists of a star-shaped frame and three bar-grating ballast platforms. The Tripods in the above series mount to the Adapter's frame with the included hardware and the Adapter is then secured to the roof with concrete-block ballast (not included). For a neat appearance and permanent installation, the blocks may be installed with mortar.

Weight: 505 lbs.



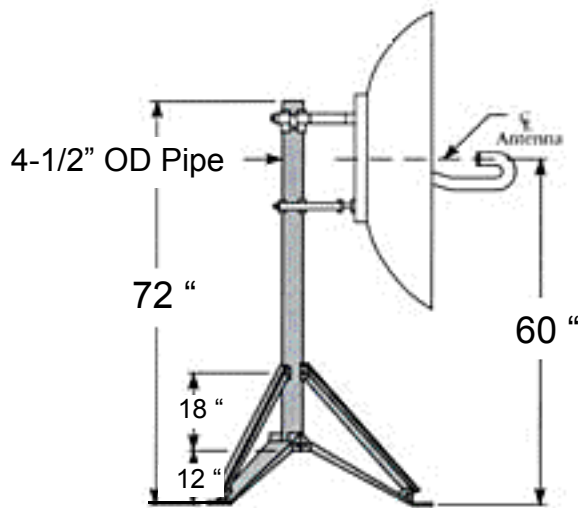
TRIPODS FOR 18-23 GHz

These Tripods are designed to support microwave antennas for short-haul communications in the 18-23 GHz frequency range. They are used for roof-top installation and are secured with either Anchor Bolts or with the Non-penetrating Adapter. The Tripod is designed for a maximum sway that will maintain the connection with winds up to 70 mph.

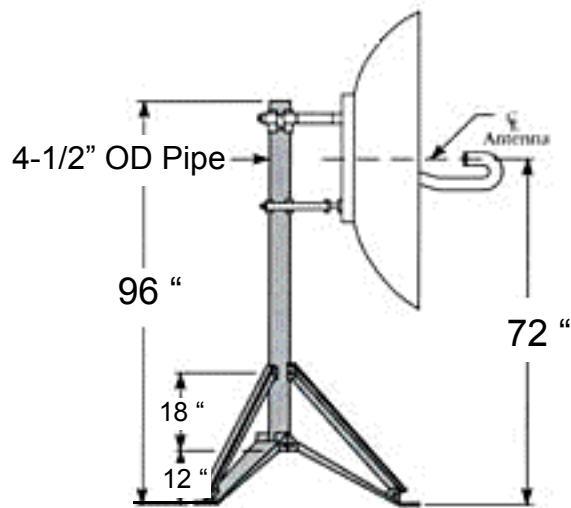
The S6 and S8 Tripods will support up to 6 ft. diameter antennas and the 3S10, 3S15 and 3S20 Tripods will support 4 ft. diameter antennas.

MODEL & PRODUCT No.	LATERAL ANTENNA LOAD, kips	REACTIONS - MAX PER LEG			MAX SWAY AT ANTENNA CENTERLINE w/ 20psf, deg	WEIGHT lb
		UPLIFT, lb	DOWNLIFT, lb	SHEER, lb		
S6 & 91013	0.56 (4' Ant.)	730	930	250	0.09	138
	1.24 (6' Ant.)	1430	1630	970	0.16	138
S8 & 91014	0.56 (4' Ant.)	930	1130	260	0.17	157
	1.24 (6' Ant.)	1740	1940	970	0.27	157
3S10 & 92510	0.56 (4' Ant.)	1180	1380	264	0.27	176
3S15 & 92511	0.56 (4' Ant.)	1950	2180	274	0.70	269
3S20 & 92512	0.56 (4' Ant.)	2950	3270	314	0.67	405

Above reactions based on 100 mph (40 psf) wind load with no ice.



MODEL S6



MODEL S8

Optional Non-Penetrating Adapter

The below Tripods may be secured by Anchor Bolts or with the Non-Penetrating Adapter (A-5) on a Rubber Mat Kit (A-4)

