

Community Based Internet Telephony in Indonesia

Onno W. Purbo
onno@indo.net.id

Onno W. Purbo

- Ex Indonesian Civil Servant
- Ex Lecturer at Institute of Technology Bandung
- Independent IT Writer
- http://id.wikipedia.org/Onno_W_Purbo

Overview

- Some Legal Stuff
- VoIP Merdeka – the early community based VoIP.
- VoIP Rakyat – SIP based VoIP

How To Trick The Legal System

- License NEEDED for
 - Public Service
 - Commercial Service
 - Connected to Telco Infrastructure

- NO License for
 - Private Application
 - Non-Commercial
 - Not Connected to Telco

Thus, It's OK ...

- PC – PC
- PC – Analog Telephony Adapter

- The Grand Trick is ...
 - Create A Large Virtual Private Network :))

Thus, It's OK ... IF ...

From To	PC	ATA- handset	ATA-PBX	ATA-Telco
PC	OK	OK	OK	NOT OK
ATA- handset	OK	OK	OK	NOT OK
ATA-PBX	OK	OK	OK	NOT OK
ATA-Telco	NOT OK	NOT OK	NOT OK	NOT OK

VoIP Merdeka (MaverickNet)

- VoIP Merdeka is H.323 based

Historical Background ..

- 1 January 2003 – Indonesian Government will increase Indonesian Telco Tariff by 30% (average).
- 6 January 2003 – the first Public Gatekeeper of VoIP Merdeka born.
- 12 January 2003 – VoIP Merdeka declared of its independence.

Underline System ..

- No Government Support
- No Government Funding
- No World Bank Funding
- No IMF Funding

- Lots of volunteer
- Lots of donation of bandwidth & harddisk space.

VoIP Merdeka at the peak

- 2500+ Registered Users
 - I am not a registered user ...
 - Estimated 2-3 x for unregistered users
- 100-150 H.323 Gatekeepers
 - VoIP Telephone Softswitch
- Neighbors in 6 Countries
 - Singapore, Canada, Germany, England, Sudan, Japan.
- Approx. 1000 calls / day in major H.323 gatekeepers.

2005 VoIP Merdeka Ceased Operation

- NAT is a BIG Problem for public Internet Telephony.
- H.323 VoIP Merdeka technology is currently largely adopted by corporates to bypass their long distance calls. Some lately migrate to SIP.

~2005 VoIP Rakyat

- Lead by Anton Raharja & his gang.
- SIP based
- Asterisk based



VoIP Rakyat

free communications for people

- Home
- Forum
- Blogs
- Links
- Contact Us



- Home
- Register Free VoIP Number
- Online Phones
- Phonebook
- Call Data Record
- Update Preferences

- ### Latest News
- Botnet Ancam Pengguna Skype
 - Apple dan Skype Tertutup
 - Layanan Voice Conference
 - Critical Update Asterisk 1.2.3
 - IM Federation

- ### Popular
- Forum VoIP Rakyat
 - Botnet Ancam Pengguna Skype
 - Asterisk 1.2.2
 - IM Federation
 - Layanan Voice Conference

Home

calls
minutes
Active ce
Online ce

Polls

Voice c
utama }

-
-
-
-
-
-

VoIP Rakyat

free communications for people

- Home
- Forum
- Blogs
- Links
- Contact Us



- Home
- Register Free VoIP Number
- Online Phones
- Phonebook
- Call Data Record
- Update Preferences
- Forgot Password
- Download Documents
- Download Softphones

Home > Register Free VoIP Number

Register Free VoIP Number

Real Name :

Email :

Location (City) :

Note: Please use your current email address and location

Register

- calls
- minutes
- Active ce
- Online ce
- Polls
- Voice c
- utama y

-
-
-
-
-
-

VOI

Synd

VoIP Rakyat

free communications for people

- Home
- Forum
- Blogs
- Links
- Contact Us



- Home
- Register Free VoIP Number
- Online Phones
- Phonebook
- Call Data Record
- Update Preferences
- Forgot Password
- Download Documents
- Download Softphones

Home > Register Free VoIP Number

Register Free VoIP Number

Hello onno-test1, you have successfully registered new phone number.

Your phone number : **21235**

Your username or account name is your phone number (21235).

Your password : **abc1092**

Our VoIP server address : **voiprakyat.or.id**

- calls
- minutes
- Active ce
- Online ce
- Polls
- Voice c
- utama y

-
-
-
-
-
-

VOI

Synd

- Home
- Register Free VoIP Number
- Online Phones
- Phonebook
- Call Data Record
- Update Preferences
- Forgot Password
- Download Documents
- Download Softphones
- Directory Service
- VoIP Rakyat Services
- Peering (alpha stage)
- VoIP In This World
 - Asterisk Guru
 - Asterisk VoIP Blogs
 - Fierce VoIP
 - SIP Center

Home > Register Free VoIP Number

Register Free VoIP Number

Hello onno-test1, you have successfully registered new phone number.

Your phone number : **21235**

Your username or account name is your phone number (21235).

Your password : **abc1092**

Our VoIP server address : **voiprakyat.or.id**

Your VoIP account will be fully usable within the next 5 minutes.

In the mean time, please configure your device or softphone to above informations.

You may download the softphone [here](#). If you are new to VoIP, we recommend you to start with **SJphone VoIP Rakyat**.

Thank you.

Navigation icons: Home, Back, Forward, Stop, Refresh, Home, Search, Favorites, Media, RSS, Print, Mail

VOIP

Synd

Relat

Ads by G

Voip
Your O
Voip! C

[Home](#)[Register Free VoIP Number](#)[Online Phones](#)[Phonebook](#)[Call Data Record](#)[Update Preferences](#)[Forgot Password](#)[Download Documents](#)[Download Softphones](#)[Directory Service](#)[VoIP Rakyat Services](#)[Peering \(alpha stage\)](#)[VoIP In This World](#)

- [Asterisk Guru](#)
- [Asterisk VoIP Blogs](#)
- [Fierce VoIP](#)
- [SIP Center](#)

Home > [Online Phones](#)

Online Phones

Online SIP phones: 9

*	Phone	Name	Location	Status
1.	20282	HKBP CALIFORNIA (Robinson Pasaribu)	Los Angeles	OK (268 ms)
2.	21164	linus	Jakarta	OK (114 ms)
3.	21022	Jarkasih	Jakarta City	OK (6 ms)
4.	20799	caksukur	lumajang	OK (509 ms)
5.	20590	Alan Gitu	Jakarta (rr1)	OK (6 ms)
6.	20559	Didin Tarsidin	Bandung	OK (37 ms)
7.	20297	Gatot	Jakarta	OK (117 ms)
8.	20288	zudha	yogya	OK (112 ms)
9.	20281	onnowpurbo	Jakarta	OK (81 ms)

Note: update per minute

Online IAX phones: 3

*	Phone	Name	Location	Status
1.	20890	Donny Ajo	Jakarta Selatan	Unmonitored

*	Phone	Name	Location	Status
1.	20282	HKBP CALIFORNIA (Robinson Pasaribu)	Los Angeles	OK (268 ms)
2.	21164	linus	Jakarta	OK (114 ms)
3.	21022	Jarkasih	Jakarta City	OK (6 ms)
4.	20799	caksukur	lumajang	OK (509 ms)
5.	20590	Alan Gitu	Jakarta (rr1)	OK (6 ms)
6.	20559	Didin Tarsidin	Bandung	OK (37 ms)
7.	20297	Gatot	Jakarta	OK (117 ms)
8.	20288	zudha	yogya	OK (112 ms)
9.	20281	onnowpurbo	Jakarta	OK (81 ms)

Note: update per minute

Online IAX phones: 3

*	Phone	Name	Location	Status
1.	20890	Donny Ajo	Jakarta Selatan	Unmonitored
2.	20246	VoIP ICT Center Pontianak	pontianak	Unmonitored
3.	20208	VoIP Wankota Bandung	bandung	Unmonitored

Note: update per minute

VoIP In This World

- [Asterisk Guru](#)
- [Asterisk VoIP Blogs](#)
- [Fierce VoIP](#)
- [SIP Center](#)
- [VoIPBlogs.com](#)
- [VoIP Gadget](#)
- [VoIP Info](#)
- [VoIP LowDown](#)
- [VoIP News](#)
- [VoIP Now](#)
- [VoIP Rakyat Blogs](#)

[Register Free VoIP Number](#)[Online Phones](#)[Phonebook](#)[Call Data Record](#)[Update Preferences](#)[Forgot Password](#)[Download Documents](#)[Download Softphones](#)[Directory Service](#)[VoIP Rakyat Services](#)[Peering \(alpha stage\)](#)[VoIP In This World](#)

- [Asterisk Guru](#)
- [Asterisk VoIP Blogs](#)
- [Fierce VoIP](#)
- [SIP Center](#)
- [VoIPBlogs.com](#)

Call Data Record

Served calls : 13338 calls
 Served minutes : 15587 minutes
 Active users : 451 of 1097
 Online callers : 12 of 1097

<< 1 2 3 4 5 6 7 8 9 10 11 12 13 14 15 16 17 18 19 20 21 22 23 24 25 26 27 28 29 30 31 >>

*	Datetime	From	To	Duration
4582.	2006-03-09 23:43:12	hamzah <21228>	Didin Tarsidin <20559>	00:00:14
4581.	2006-03-09 23:41:46	hamzah <21228>	Nurhamzah <20666>	00:00:33
4580.	2006-03-09 23:41:22	hamzah <21228>	linus <21164>	00:00:19
4579.	2006-03-09 23:41:01	hamzah <21228>	linus <21164>	00:00:14
4578.	2006-03-09 23:40:14	hamzah <21228>	linus <21164>	00:00:25
4577.	2006-03-09 23:39:47	hamzah <21228>	linus <21164>	00:00:22
4576.	2006-03-09 23:39:18	hamzah <21228>	linus <21164>	00:00:22

VOI

Synd

Relat

Ads by G

Voip

The Sp
 Informa
 Deals f
 Voip-1.n

[Register Free VoIP Number](#)[Online Phones](#)[Phonebook](#)[Call Data Record](#)[Update Preferences](#)[Forgot Password](#)[Download Documents](#)[Download Softphones](#)[Directory Service](#)[VoIP Rakyat Services](#)[Peering \(alpha stage\)](#)[VoIP In This World](#)

- [Asterisk Guru](#)
- [Asterisk VoIP Blogs](#)
- [Fierce VoIP](#)
- [SIP Center](#)
- [VoIPBlogs.com](#)
- [VoIP Contact](#)

Softphone

Web Link

Hits

Idefisk

Idefisk merupakan softphone berbasis IAX2 yang handal dan ringan, sangat cocok untuk yang menggunakan PC atau laptop spesifikasi rendah. Tersedia dalam 3 platform yaitu untuk MS Windows, Linux dan Mac. Mendukung codec GSM, iLBC, Speex dan G711. 100

SJphone VoIP Rakyat

Seri SJphone 289a yang telah dimodifikasi untuk VoIP Rakyat. Penggunaannya sangat mudah, tinggal download, install, jalankan lalu masukkan username dan password anda, tidak perlu konfigurasi. Gunakan ini untuk mencoba VoIP Rakyat pertama kali. 444

SJphone

SJlabs menyediakan beberapa versi softphone SJphone untuk berbagai macam device seperti PC dan Pocket PC. Mendukung codec GSM, iLBC dan G711 serta dapat bekerja dengan 2 protokol VoIP yaitu SIP dan H323, Tersedia untuk OS Windows dan Linux. 165

X-Lite

Dapatkan X-Lite untuk berkomunikasi gratis melalui VoIP Rakyat. X-Lite adalah salah satu softphone berbasis SIP ternama yang paling diminati karena penggunaannya yang cukup mudah dan stabil. Mendukung codec GSM, iLBC, Speex dan G711. 166

VOIP

Synd

Relat

Today's VoIP Rakyat

- ACER (Xeon Dual Processor)
- IDC (Hosting at Indonesia Internet Exchange)



VoIP Rakyat

Free Communication for People

[Home](#)
[VoIP Forum](#)
[VoIP Directory](#)
[Service Number](#)
[FAQ](#)
[ENUM](#)
[Tell The World](#)
[audioBlog](#)
[Web Phone](#)
[Download](#)

Account ID

Password

www.bajay.com
everything you need for voip & IP-PBX

Statistics

Served calls :48344
Served minutes :108465
Registered accounts:16324
Active accounts :4489
Online phones :175
* Monitored since Jan 2006

Memperkenalkan audioBlog dengan VoIP Rakyat

09/01/2007

Rekam suara anda, berbagi dengan seluruh dunia, tampilkan di website atau blog anda.

Untuk merekam suara anda, anda perlu dial 905 diikuti dengan nomor rekaman, contoh: 9051234.
Anda bisa juga dial 905 saja tanpa diikuti nomor rekaman,

Search News

VoIP Rakyat



- Register (Free!)

- Forgot Password

VoIP Rakyat

Members

- Online Phones

- Conference Rooms

- Phonebook

- Call Data Record

- Test Me Please

Anton Raharja's

Blog

- simplebwm v0.1

(*) You must fill

Login Information

Email (*) :

Confirm email (*) :

Personal Information

Name (*) :

Birthday : (Format: yyyy-mm-dd)

Address (*) :

City (*) :

State/Province (*) :

ZIP code :

Search News

Polling

VoIP Rakyat akan menerima sumbangan berupa uang yang kemudian akan dibelikan pulsa/credit agar seluruh user dapat telepon ke PSTN (tentu penggunaan harus dalam batas-batas kewajaran). Apakah anda bersedia menyumbang

- Ya, bersedia rp250jt
- Ya, bersedia rp100rb
- Ya, bersedia rp20rb
- Tidak bersedia



Online SIP phones (eg: X-Lite 3.0) : 107

XML

SIP

*	Phone	Name	Location	Status
1.	(621881001) 36401	Mariska Angraini	Kota Batam	<input checked="" type="checkbox"/> <input checked="" type="checkbox"/> <input checked="" type="checkbox"/> <input checked="" type="checkbox"/> <input checked="" type="checkbox"/>
2.	(621881001) 36393	Benjamin Woen	Batam	<input checked="" type="checkbox"/> <input checked="" type="checkbox"/> <input checked="" type="checkbox"/> <input checked="" type="checkbox"/> <input checked="" type="checkbox"/>
3.	(621881001) 36382	yosi yokohana	Pekanbaru	<input checked="" type="checkbox"/> <input checked="" type="checkbox"/> <input checked="" type="checkbox"/> <input checked="" type="checkbox"/> <input type="checkbox"/>
4.	(621881001) 36251	boim	bogor	<input checked="" type="checkbox"/> <input checked="" type="checkbox"/> <input checked="" type="checkbox"/> <input checked="" type="checkbox"/> <input checked="" type="checkbox"/>
5.	(621881001) 36240	iwanthea	Bandung	<input checked="" type="checkbox"/> <input checked="" type="checkbox"/> <input checked="" type="checkbox"/> <input checked="" type="checkbox"/> <input checked="" type="checkbox"/>
6.	(621881001) 36189	roni ramadhani	BANJARMASIN	<input checked="" type="checkbox"/> <input checked="" type="checkbox"/> <input checked="" type="checkbox"/> <input checked="" type="checkbox"/> <input checked="" type="checkbox"/>
7.	(621881001) 36160	nico	pekan baru	<input checked="" type="checkbox"/> <input type="checkbox"/> <input type="checkbox"/> <input type="checkbox"/> <input type="checkbox"/>
8.	(621881001) 36149	Tje Nen	Jakarta	<input checked="" type="checkbox"/> <input checked="" type="checkbox"/> <input checked="" type="checkbox"/> <input checked="" type="checkbox"/> <input checked="" type="checkbox"/>
9.	(621881001) 36131	Cecep Zahrudin	Depok	<input checked="" type="checkbox"/> <input checked="" type="checkbox"/> <input checked="" type="checkbox"/> <input checked="" type="checkbox"/> <input checked="" type="checkbox"/>
10.	(621881001) 36104	Hendi Oslan	Medan	<input checked="" type="checkbox"/> <input checked="" type="checkbox"/> <input checked="" type="checkbox"/> <input checked="" type="checkbox"/> <input type="checkbox"/>
11.	(621881001) 36078	Lanny Maria	Bogor	<input checked="" type="checkbox"/> <input checked="" type="checkbox"/> <input checked="" type="checkbox"/> <input checked="" type="checkbox"/> <input checked="" type="checkbox"/>
12.	(621881001) 36049	Zakki Ashshidiqi	Depok	<input checked="" type="checkbox"/> <input checked="" type="checkbox"/> <input checked="" type="checkbox"/> <input checked="" type="checkbox"/> <input checked="" type="checkbox"/>
13.	(621881001) 36026	VoIP Pusri	Palembang	<input checked="" type="checkbox"/> <input checked="" type="checkbox"/> <input checked="" type="checkbox"/> <input checked="" type="checkbox"/> <input checked="" type="checkbox"/>
14.	(621881001) 36016	firmansyah	Depok	<input checked="" type="checkbox"/> <input checked="" type="checkbox"/> <input checked="" type="checkbox"/> <input checked="" type="checkbox"/> <input checked="" type="checkbox"/>
15.	(621881001) 35773	Muhammad Bardi	Sanur	<input checked="" type="checkbox"/> <input checked="" type="checkbox"/> <input checked="" type="checkbox"/> <input checked="" type="checkbox"/> <input checked="" type="checkbox"/>
16.	(621881001) 35638	Dedhi Sujatmiko	Singapore	<input checked="" type="checkbox"/> <input checked="" type="checkbox"/> <input checked="" type="checkbox"/> <input checked="" type="checkbox"/> <input checked="" type="checkbox"/>

search

VoIP Rakyat**Members**

- Online Phones

- Conference Rooms

- Phonebook

- Call Data Record

- Test Me Please

Anton Raharja's**Blog**

- simplebwm v0.1

- audioBlog

- Open Source 2007

Polling

VoIP Rakyat akan menerima sumbangan berupa uang yang kemudian akan dibelikan pulsa/credit agar seluruh user dapat telepon ke PSTN (tentu penggunaan harus dalam batas-batas kewajaran). Apakah anda bersedia menyumbang?

 Ya, bersedia rp250jt

 Ya, bersedia rp100rb

 Ya, bersedia rp20rb

 Tidak bersedia

Register (Free!)

 ... [52] 53 54 55 56 57 58 59 60 61 62 63 64 65 66 67 68 ...

Forgot Password

VoIP Rakyat**Members**

- Online Phones
- Conference Rooms
- Phonebook
- Call Data Record
- Test Me Please

Anton Raharja's**Blog**

- simplebwm v0.1

#	Datetime	From	To	Duration	Link
13311.	2006-11-10 10:52:14	Andi Chairumin <27098>	29XXX	00:02:21	IP
13310.	2006-11-10 10:47:05	michael <32431>	32XXX	00:01:03	IP
13309.	2006-11-10 10:36:50	Ribut Fajar <32528>	31XXX	00:02:11	IP
13308.	2006-11-10 10:30:50	bagus47 <28304>	28XXX	00:07:28	IP
13307.	2006-11-10 10:27:35	Indra Hardianto <30676>	30XXX	00:07:37	IP
13306.	2006-11-10 10:29:57	Ribut Fajar <32528>	28XXX	00:00:41	IP
13305.	2006-11-10 09:27:40	hery <32527>	XXX	00:06:36	ENUM
13304.	2006-11-10 09:24:24	hery <32527>	XXX	00:01:13	ENUM
13303.	2006-11-10 09:13:19	issaa <28383>	28XXX	00:00:54	IP
13302.	2006-11-10 09:11:13	Pahala Tua S. <31194>	32XXX	00:01:21	IP
13301.	2006-11-09 22:15:04	Cinta Cute <20102>	00390552345XXX	00:08:49	PSTN

* Monitored since Jan 2006

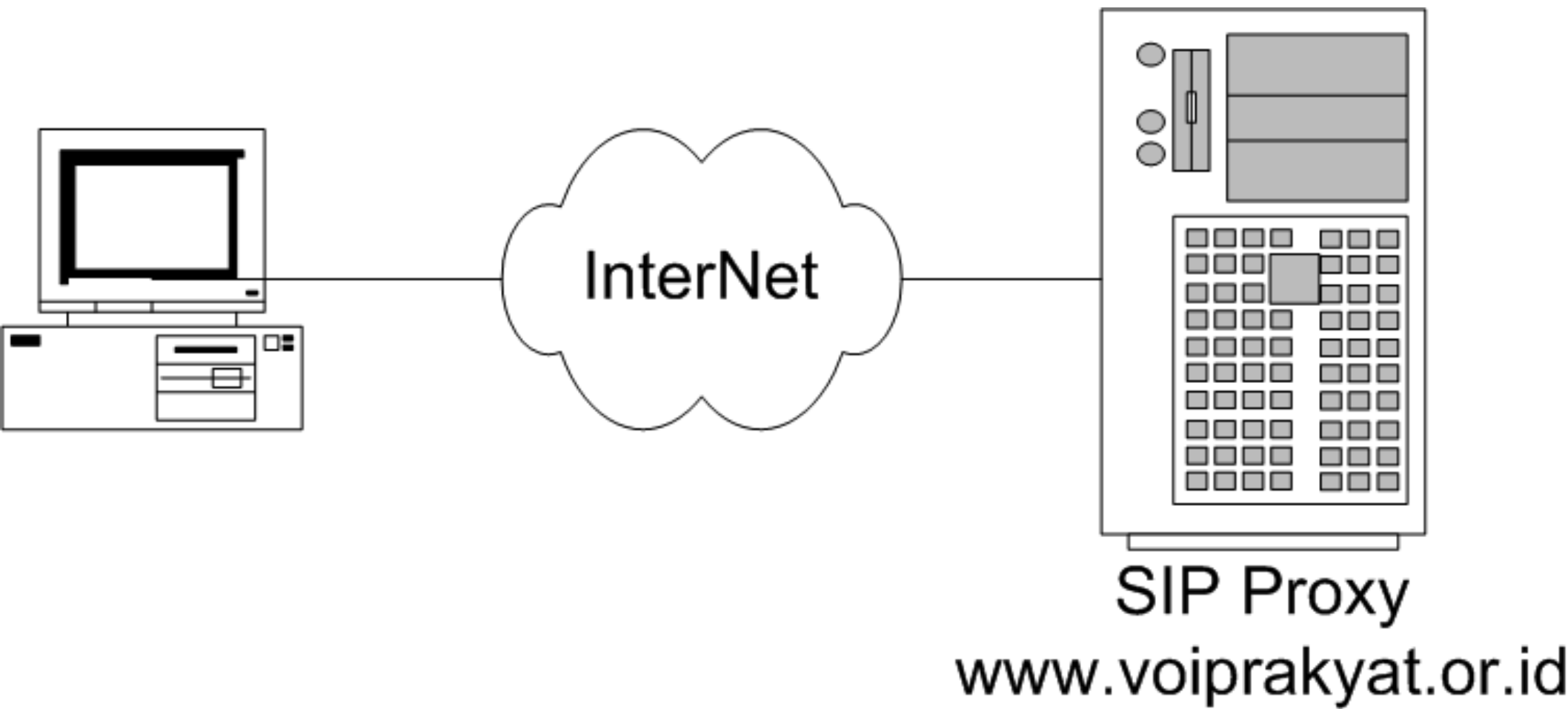
Search News

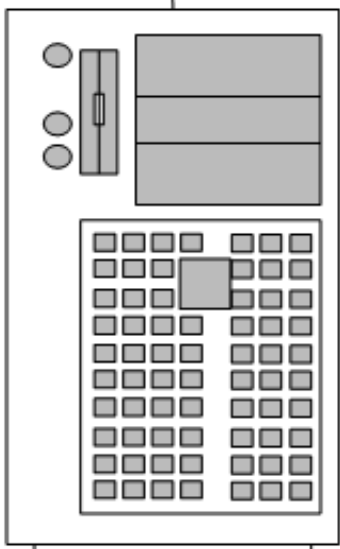
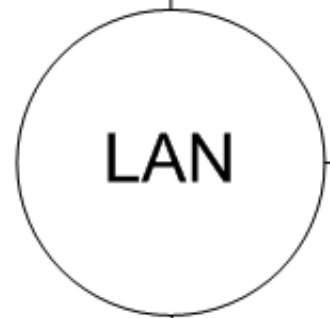
Polling

VoIP Rakyat akan menerima sumbangan berupa uang yang kemudian akan dibelikan pulsa/credit agar seluruh user dapat telepon ke PSTN (tentu penggunaan harus dalam batas-batas kewajaran). Apakah anda bersedia menyumbang?

- Ya, bersedia rp250jt
- Ya, bersedia rp100rb
- Ya, bersedia rp20rb
- Tidak bersedia

Some Typical Configurations

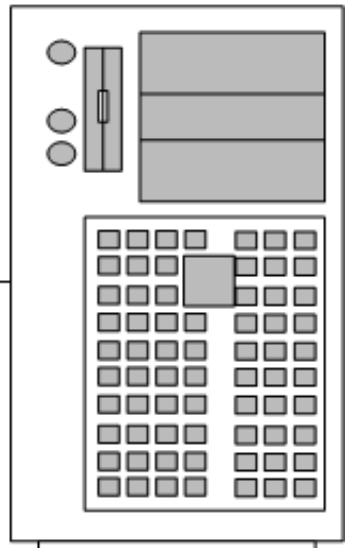




SIP Proxy
Asterisk

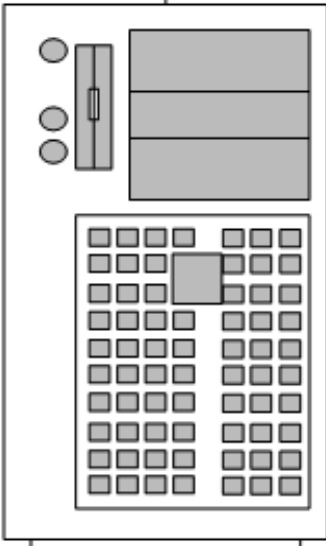
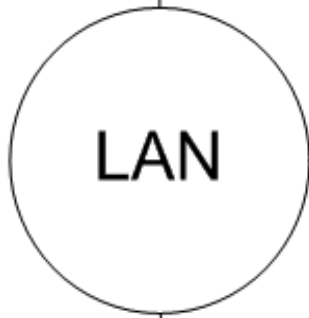


Router



SIP Proxy
Asterisk

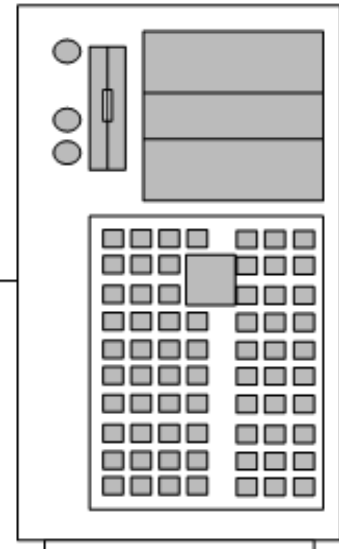
Corporate



SIP Proxy
Asterisk

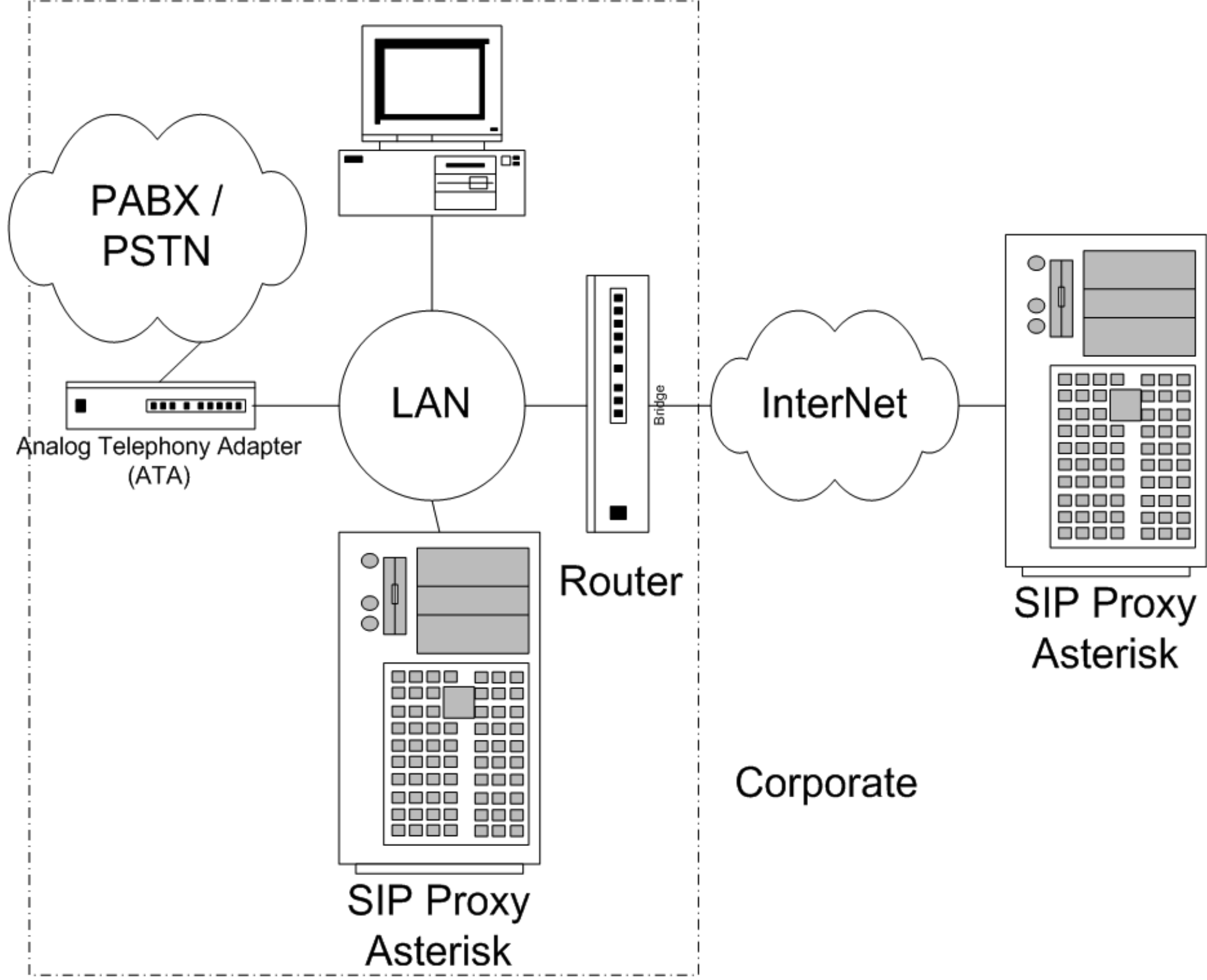


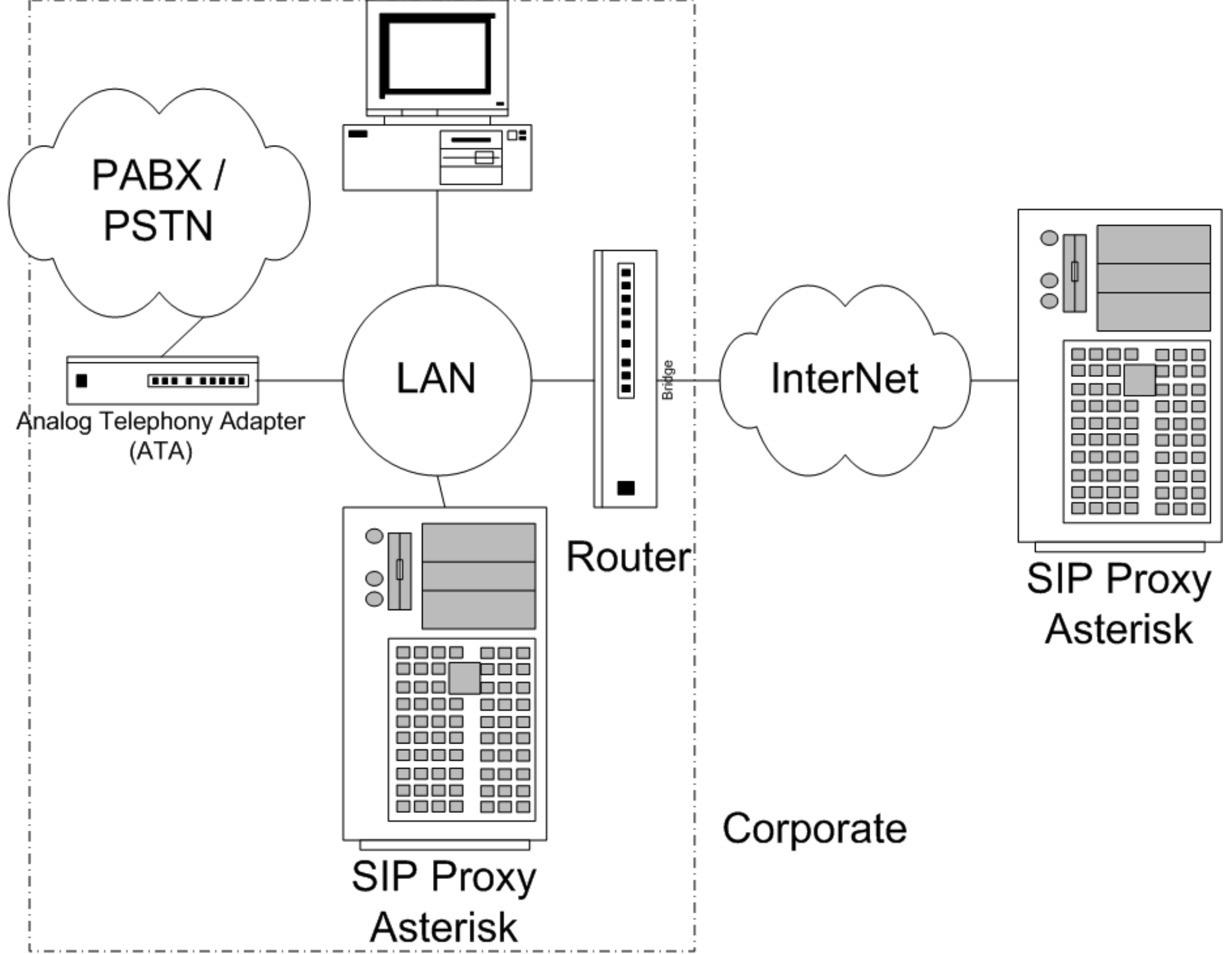
Router

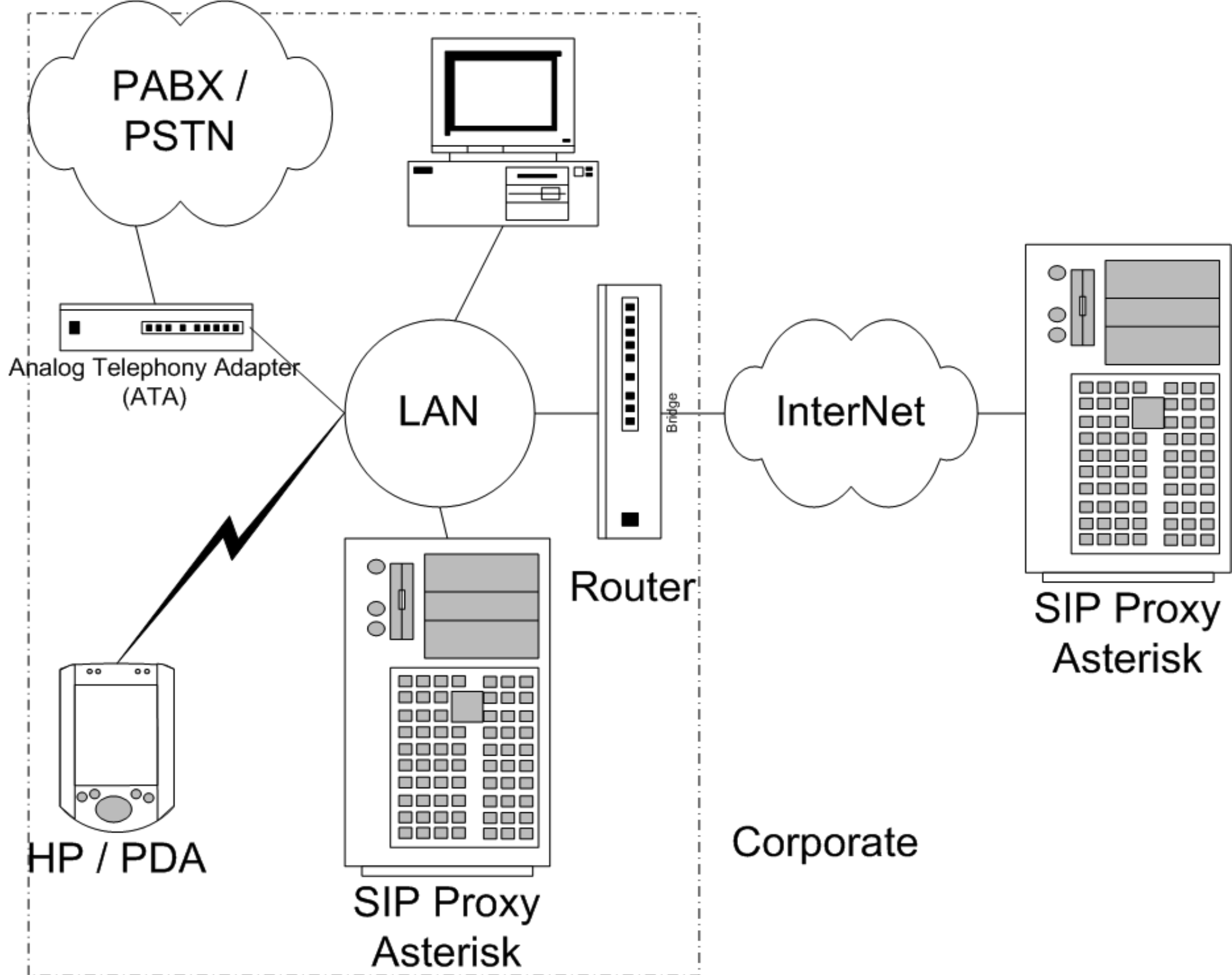


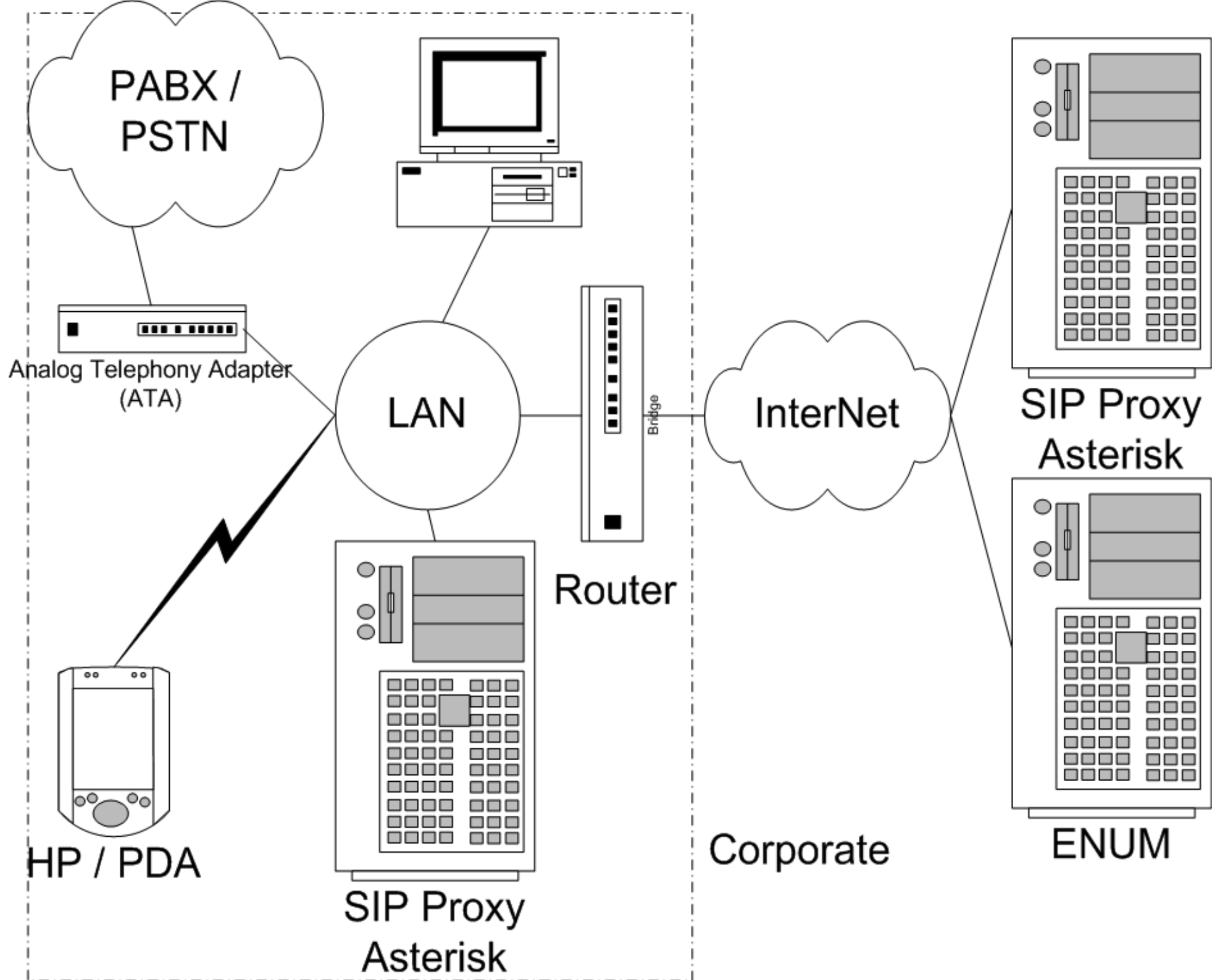
SIP Proxy
Asterisk

Corporate

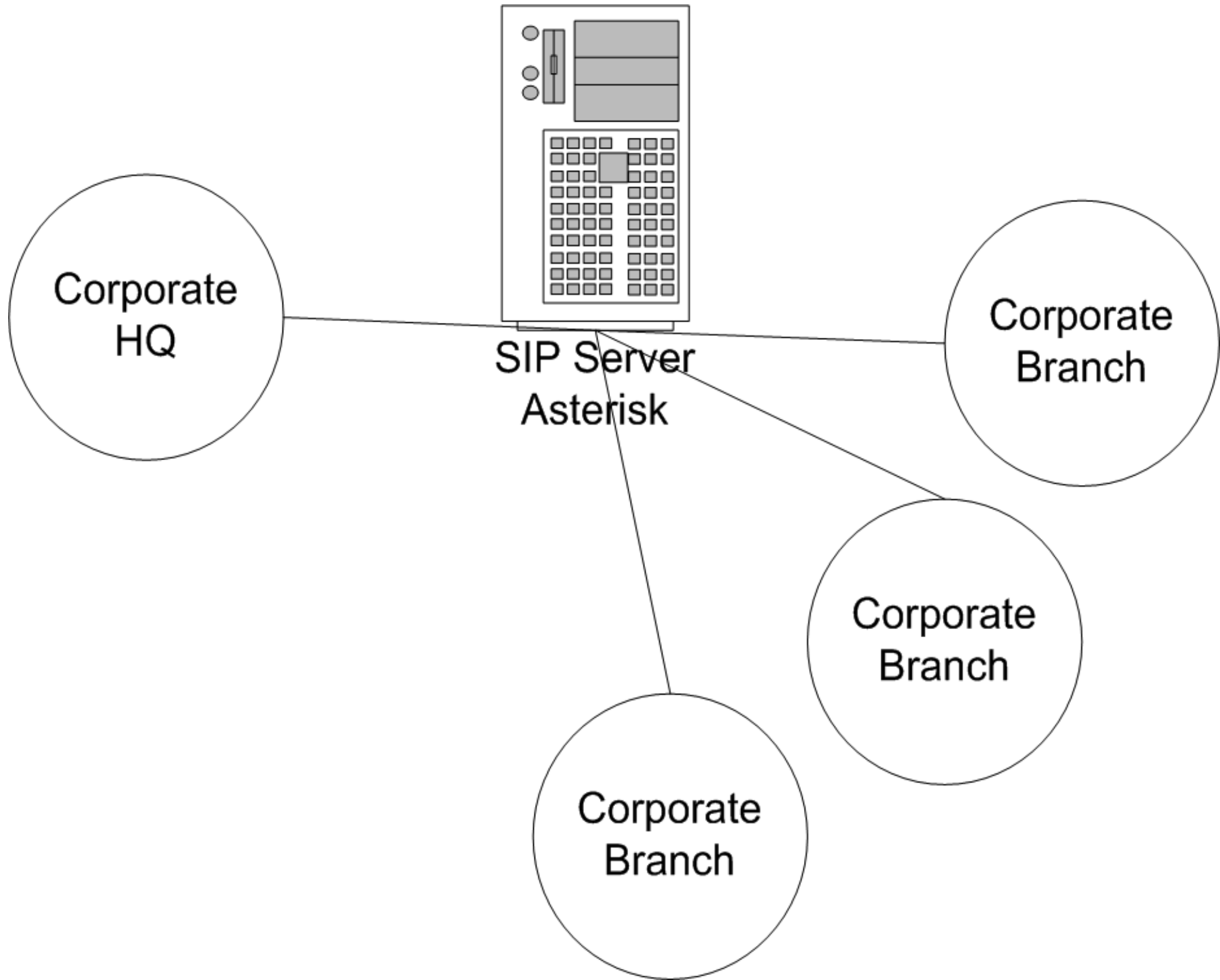


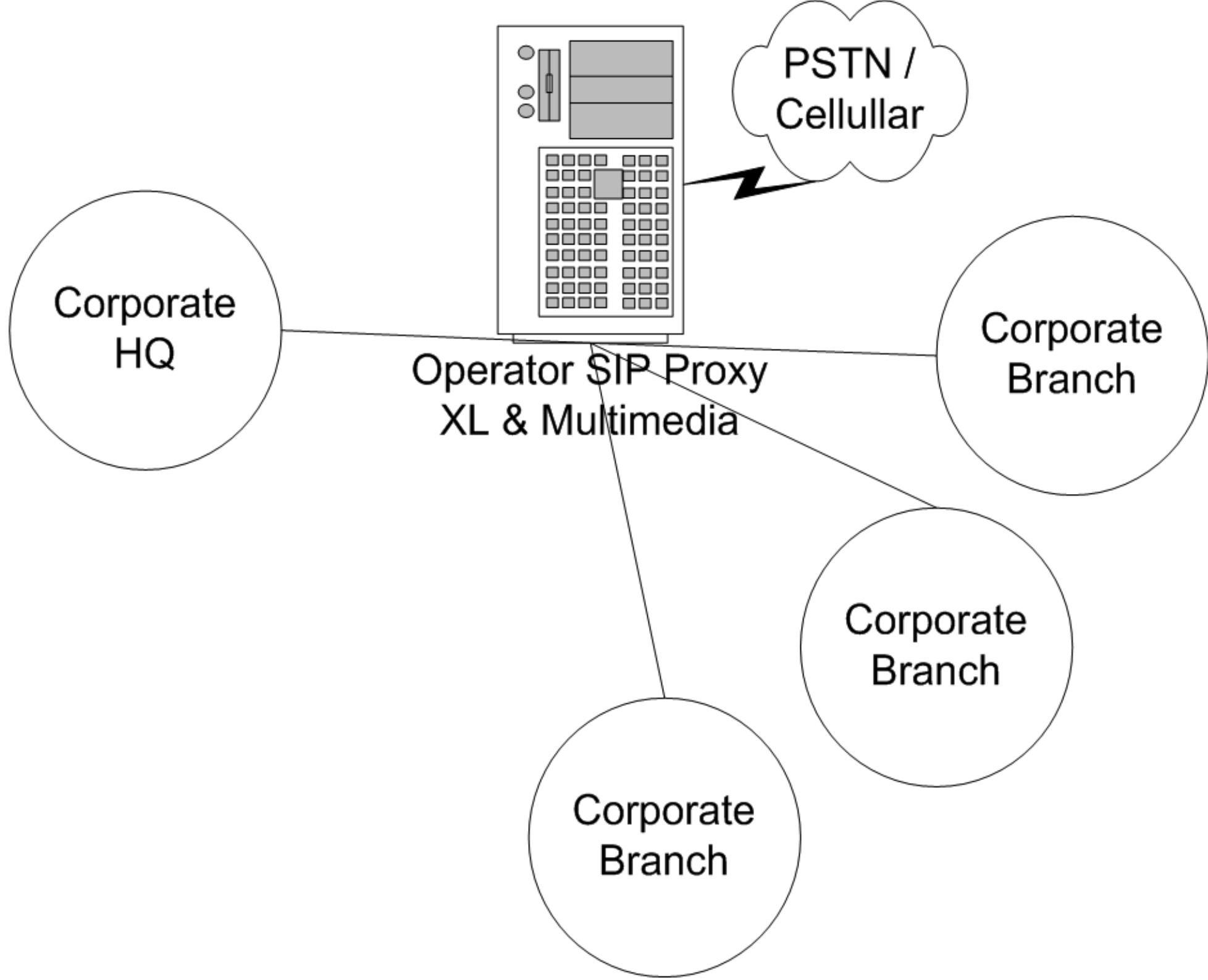






Typical Intra / Inter Corporate Configuration





Free SIP Account & Interconnection

- <http://www.sipbroker.com>
- <http://fwd.pulver.com>

SIP-Code	SIP Proxy	Provider name
*010	voxabt.com	VoXaLot Communications (US) [Home]
*011	sipbroker.com	SIPBroker Alias Server [Home]
*012	public.telbo.com	ISN/ITAD Routing
*013	sipbroker.com	SIPBroker ENUM Server [Home]
*016	TBA	TBA
*018	gtalk2voip.com	GTalk2VoIP [Home]
*027	zero27.net	zero27.net
*061	voxabt.com.au	VoXaLot Australia [Home]
*201	voip.brujula.net	Brujula.Net [Home] [Rates]
*202	sipsrv1.thinkingvoice.com	sipsrv1.thinkingvoice.com
*203	triton.voxee.com	triton.voxee.com
*204	dialnet.pl	dialnet.pl [Home] [Rates]
*205	sip.web.de	sip.web.de
*206	sip.phonecowboy.com	sip.phonecowboy.com
*207	baltictender.com	baltictender.com
*208	sip.faktortel.com.au	FaktorTel [Home] [Rates]
*210	proxy.freecall.net.au	Freecall [Home]
*211	singate.co.uk	Singate [Home] [Rates]

[Home](#)[Learn More](#)[Products](#)[Community](#)[Partners](#)[Store](#)[Help](#)[my.FWD](#)[Home](#) » [my.Fwd](#) » My Settings[My Account](#)[Received Calls](#)[Missed Calls](#)[Dialed Calls](#)[My Profile](#)[Extra Features](#)[White Pages](#)[Call Me](#)[« Sign Up for Fwd »](#)

My Settings

Please enter your **FWD Number** and **FWD Password** to Sign In:

FWD Number: FWD Password:

Free Call Termination

- <http://www.voipdiscount.com>
- <http://www.voipcheap.com>



Talk to anyone, anywhere for free! Download VoipDiscount now.



With VoipDiscount you can make **free*** calls over the internet to any of your online friends, as well as various popular destinations. **Download** it now for free and start calling immediately.

More Info

To enjoy free phone calls from your PC, just download and install this application (1700Kb)

[Download now](#)

[System requirements](#)



Free Calls!

call any land line in these destinations for **FREE!**

Free* calls (landlines only)

Argentina	Luxembourg
Australia	Malaysia
Austria	Monaco
Belgium	Netherlands
Canada	New Zealand
Chile	Norway
Cyprus	Panama
Czech Republic	Poland
Denmark	Portugal
Estonia	Puerto Rico (mobile)
Finland	Russian Federation
France	Singapore (+mobile)
Germany	Slovenia
Gibraltar	South Korea



Make a Free trial call now!

Your phone number:

Destination phone number:

Call

Enter both phone numbers in the international format, for instance: 00442012345678. Free calls are limited and only valid for landlines in destinations marked as free.

[More instructions.](#)

Free calls to your (online) friends



Brand new P2P functionality

Extremely low rates for all other calls





File Edit View Go Bookmarks Tools Help

http://www.voipcheap.com/en/index.html

Go

Latest Release Notes Fedora Project Fedora Weekly News Community Support Fedora Core 5

GREAT NEWS: Credit will not expire anymore!

FREE CALLS* to regular phones over the internet. Just install the free VoipCheap application, plug a headset in your PC and start calling instantly! **Download now!**



Call online friends for free. Call various popular destinations for free.

Easy to use, no spyware or adware. **Download now!**

System requirements



Your phone number:

Destination phone number:

Enter both phone numbers in the international format, for instance: 00442012345678. Free calls are limited and only valid for landlines in destinations marked as **free**.

[More instructions.](#)

Andorra	free*	Luxembourg	free*
Argentina	free*	Malaysia	free*
Australia	free*	Monaco	free*
Austria	free*	Netherlands	free*
Belgium	free*	New Zealand	free*
Canada	free*	Norway	free*
Chile	free*	Poland	free*
Czech Republic	free*	Portugal	free*
Denmark	free*	Puerto Rico (+mobile)	free*
Estonia	free*	Russian Federation	free*
France	free*	Singapore (+mobile)	free*
Germany	free*	South Korea	free*
Hong Kong (+mobile)	free*	Spain	free*
Hungary	free*	Sweden	free*
Iceland	free*	Switzerland	free*
Ireland	free*	United Kingdom	free*
Italy	free*	United States (+mobile)	free*
Liechtenstein	free*		

Done

Pay Call Termination

- <http://www.imaxindo.com>



Kalau Bisa GRATIS, Kenapa Harus Bayar ?

Sydney

New York

Jakarta

FREE !!! All you need is a broadband internet connection!



FREE Download SoftPhone

CUSTOMER TESTIMONIALS

Produk USB Phone dan Top Up Voucher

ORDER FREE SOFTPHONE NUMBER

ITP 1020A

ITP 747S

ITA 1010

ITA 3000

USB Phone

Softphone

ENUM

- <http://www.e164.org>
- <http://www.enum.voiprakyat.org>

[Login](#)[Signup](#)[Support](#)[Donate](#)[FAQ](#)[Sponsors](#)[About](#)

Welcome to e164.org

What is e164?

In a nutshell: E164.org is a public enum directory of telephone numbers that can be reached over the Internet by anyone anywhere!

The system works by publishing a DNS zone, 'e164.org', that can be used by various Internet applications including SER, Gnome Meeting and Asterisk. The idea is to be able to map your phone number to an Email address, website, VoIP addresses, etc.

Are you fluent in another language? Please help us to [translate this website](#).

Latest Announcements

Oct 13: Launch of [e164.org forum](#).

Jul 15: ITSP API access finalised and documented.

Apr 23: New server goes live, maybe some bugs still in the system.

Mar 30: New server testing complete, and migration started.

Mar 14: New server under goes stress testing.

"ENUM is not required for VoIP, although it does facilitate it."

- [Wikipedia](#)

e164.org Statistics

Allocations: 60,634,726

Special PSTN services: 78,000,000

Total: 138,634,726

[Please consider donating.](#)



Direktori ENUM Indonesia

[Home](#) | [Login](#) | [Register](#)

Main Menu »

[Home](#)
[Preferences](#)
[Phone number](#)
[Logout](#)

Partners



Mungkinkah Tiap Orang Punya Satu Nomor Telepon Permanen?

12/12/2006

Pernahkan Anda membayangkan mempunyai nomor sendiri, misalnya, +627771781945, nomor tersebut milik Anda tidak tergantung pada operator mana pun dan dapat digunakan apakah Anda berlangganan ke GSM seluler, CDMA seluler, Internet menggunakan VoIP, maupun menggunakan PSTN Telkom.

Semua akan masuk ke pesawat telepon yang Anda pegang tidak peduli teknologi yang digunakan.

ENUM VoIP Rakyat versi 1.0

Statistic

Account	: 410
Phone number	: 201
ENUM record	: 272

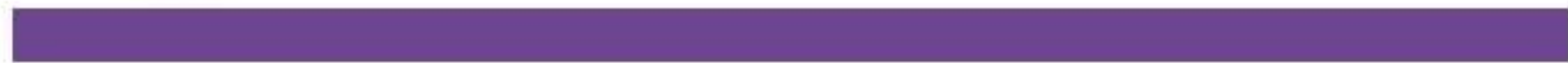
Syndication

[RSS 0.91](#)
[RSS 1.0](#)
[RSS 2.0](#)
[ATOM 0.3](#)
[OPML SHARE IT!](#)




Receive CALLS FREE via IP

Free Washington state phone number to your Internet phone.



Welcome to IPKall, the service that lets you receive FREE calls over the Internet from any phone, anywhere, any time!

This is truly a FREE service

We don't sell equipment or service, there is no charge for registering or for connecting your calls to IP, and we do NOT provide any customer service.

New Area Codes Available!

IPKall now supports G729!

Sign-Up



IPKall Signup

****ABSOLUTELY FREE**** Washington state phone number to your SIP phone.

Important Announcement:

We now offer service for most SIP proxies.

Please be aware that all accounts require a **valid email address** in order to receive your IPKall number. Accounts with invalid email addresses will be terminated. Accounts which are inactive for 30 days may be terminated for non-use.

SIP & VoIP

- Community based Telco
- Benefit for Corporates
- Minimal / Free charges
- Open Source!
- 4G :) ..